

Perugia 10M MP Build(A03)

2009.05.05

	1	2	3	4	5	6	7	8																																																																																												
A	<h1>Perugia 10M MP Build(A03)</h1> <p>2009.05.05</p>								A																																																																																											
B																																																																																																				
C																																																																																																				
D																																																																																																				
E																																																																																																				
F	<table border="1" style="width: 100%; border-collapse: collapse;"> <tr> <td style="width: 33%;">DATE</td> <td style="width: 33%;">CHANGE NO.</td> <td style="width: 33%;">REV</td> </tr> <tr> <td> </td> <td> </td> <td> </td> </tr> <tr> <td> </td> <td> </td> <td> </td> </tr> <tr> <td> </td> <td> </td> <td> </td> </tr> <tr> <td> </td> <td> </td> <td> </td> </tr> <tr> <td> </td> <td> </td> <td> </td> </tr> <tr> <td> </td> <td> </td> <td> </td> </tr> <tr> <td> </td> <td> </td> <td> </td> </tr> <tr> <td> </td> <td> </td> <td> </td> </tr> <tr> <td> </td> <td> </td> <td> </td> </tr> </table>	DATE	CHANGE NO.	REV																												<table border="1" style="width: 100%; border-collapse: collapse;"> <tr> <td style="width: 25%;">DRAWER</td> <td style="width: 25%;">EE</td> <td style="width: 25%;">DATE</td> <td style="width: 25%;">POWER</td> <td style="width: 25%;">DATE</td> </tr> <tr> <td>DESIGN</td> <td> </td> <td> </td> <td> </td> <td> </td> </tr> <tr> <td>CHECK</td> <td> </td> <td> </td> <td> </td> <td> </td> </tr> <tr> <td>RESPONSIBLE</td> <td> </td> <td> </td> <td> </td> <td> </td> </tr> <tr> <td colspan="5"> <table border="1" style="width: 100%; border-collapse: collapse;"> <tr> <td>SIZE =</td> <td>3</td> <td>VER :</td> <td> </td> </tr> <tr> <td>FILE NAME :</td> <td colspan="3">XXXX-XXXXXX-XX</td> </tr> <tr> <td>P/N</td> <td colspan="3">XXXXXXXXXXXX</td> </tr> </table> </td> </tr> <tr> <td colspan="5" style="text-align: center;">INVENTEC</td> </tr> <tr> <td colspan="5" style="text-align: center;">TITLE <i>Perugia10M</i></td> </tr> <tr> <td>SIZE</td> <td>CODE</td> <td>DOC. NUMBER</td> <td>REV</td> <td> </td> </tr> <tr> <td>A3</td> <td>CS</td> <td>1310A2250501</td> <td>x01</td> <td> </td> </tr> <tr> <td colspan="3">SHEET</td> <td>1</td> <td>OF 63</td> </tr> <tr> <td colspan="3"></td> <td>8</td> <td></td> </tr> </table>	DRAWER	EE	DATE	POWER	DATE	DESIGN					CHECK					RESPONSIBLE					<table border="1" style="width: 100%; border-collapse: collapse;"> <tr> <td>SIZE =</td> <td>3</td> <td>VER :</td> <td> </td> </tr> <tr> <td>FILE NAME :</td> <td colspan="3">XXXX-XXXXXX-XX</td> </tr> <tr> <td>P/N</td> <td colspan="3">XXXXXXXXXXXX</td> </tr> </table>					SIZE =	3	VER :		FILE NAME :	XXXX-XXXXXX-XX			P/N	XXXXXXXXXXXX			INVENTEC					TITLE <i>Perugia10M</i>					SIZE	CODE	DOC. NUMBER	REV		A3	CS	1310A2250501	x01		SHEET			1	OF 63				8		F
DATE	CHANGE NO.	REV																																																																																																		
DRAWER	EE	DATE	POWER	DATE																																																																																																
DESIGN																																																																																																				
CHECK																																																																																																				
RESPONSIBLE																																																																																																				
<table border="1" style="width: 100%; border-collapse: collapse;"> <tr> <td>SIZE =</td> <td>3</td> <td>VER :</td> <td> </td> </tr> <tr> <td>FILE NAME :</td> <td colspan="3">XXXX-XXXXXX-XX</td> </tr> <tr> <td>P/N</td> <td colspan="3">XXXXXXXXXXXX</td> </tr> </table>					SIZE =	3	VER :		FILE NAME :	XXXX-XXXXXX-XX			P/N	XXXXXXXXXXXX																																																																																						
SIZE =	3	VER :																																																																																																		
FILE NAME :	XXXX-XXXXXX-XX																																																																																																			
P/N	XXXXXXXXXXXX																																																																																																			
INVENTEC																																																																																																				
TITLE <i>Perugia10M</i>																																																																																																				
SIZE	CODE	DOC. NUMBER	REV																																																																																																	
A3	CS	1310A2250501	x01																																																																																																	
SHEET			1	OF 63																																																																																																
			8																																																																																																	
	1	2	3	4	5	6	7	8																																																																																												

TABLE OF CONTENTS

PAGE	PAGE	PAGE
1.COVER PAGE	31.ICH9-1	54.WLAN /Debug
2.INDEX	32.ICH9-2	55.MDC 1.5 CONN
3.BLOCK DIAGRAM	33.ICH9-3	56.LED(M/B) & HOTKEY/B CONN
4.POWER SEQUENCE BLOCK	34.ICH9-4	57.KILL SWITCH& HALL SENSOR
5-12.SYSTEM POWER	35.ICH9-5	58.Screw
13.CLOCK GENERATOR	36.SATA HDD CONN	59.EMI
14.PENRYN-1	37.ODD CONN	60.3D sensor
15.PENRYN-2	38.USB CONN	61. Hotkey board
16.PENRYN-3	39.ESATA CONN	62. Touch pad board
17.PENRYN-4	40.Camera	63. power board
18.FAN & THERMAL CONTROLLER	41.BLUE TOOTH CONN	
19.CANTIGA-1	42.KBC	
20.CANTIGA-2	43.K/B & TP/B CONN	
21.CANTIGA-3	44.Audio Codec	
22.CANTIGA-4	45.Audio AMP/MIC/Speaker	
23.CANTIGA-5	46.LAN CONTROLLER	
24.CANTIGA-6	47.RJ45 & TRANSFORMER	
25.CANTIGA-7	48.HDMI & CEC	
26.DDR2 DIMM0	49.HDMI CONN	
27.DDR2 DIMM1	50.USB Card Reader	
28.DDR DAMPING	51.Card Bus-1	
29.CRT CONN	52.Card Bus-2	
30.LCM CONN	53.Express Card	

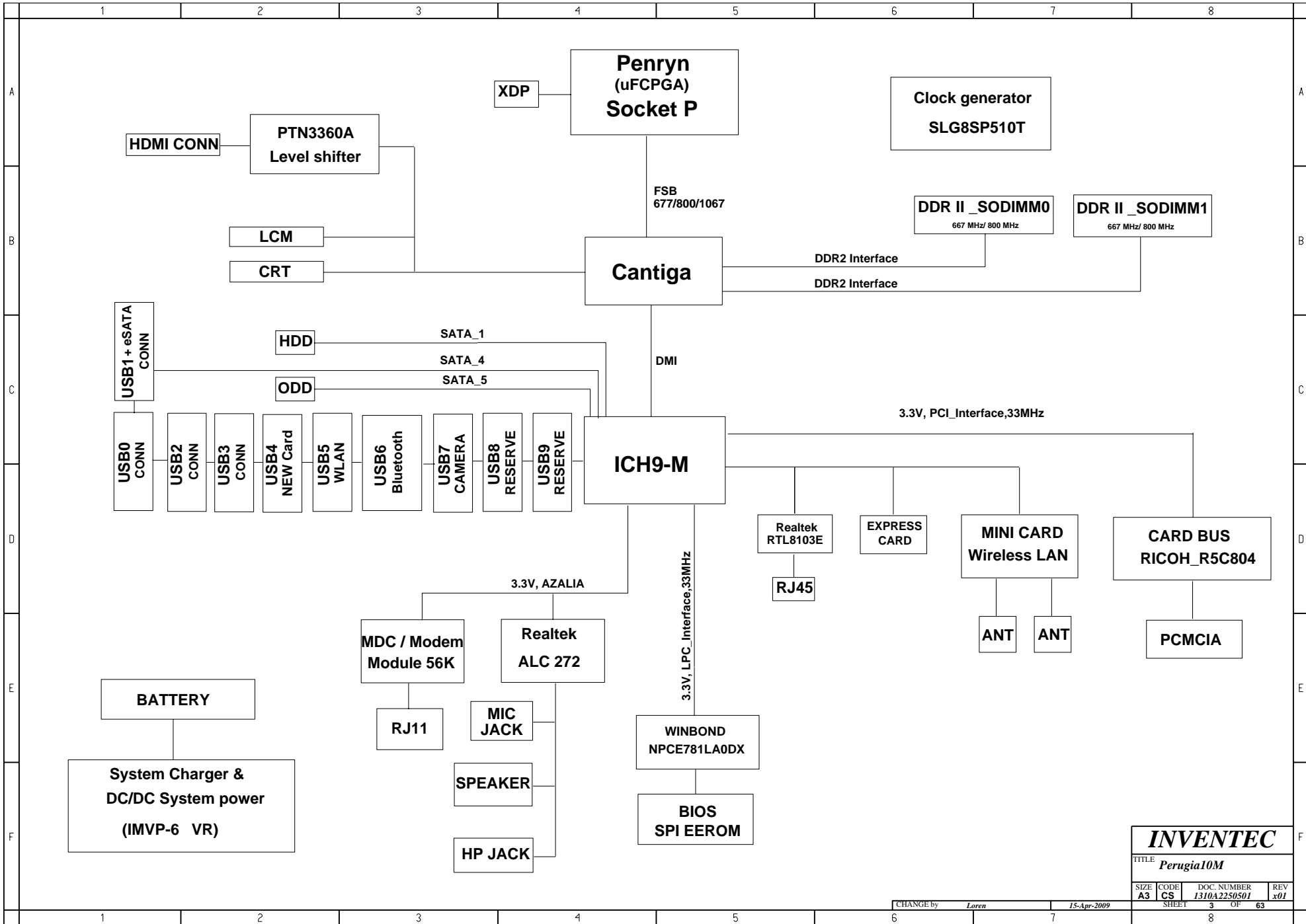
INVENTEC

TITLE
Perugia10M

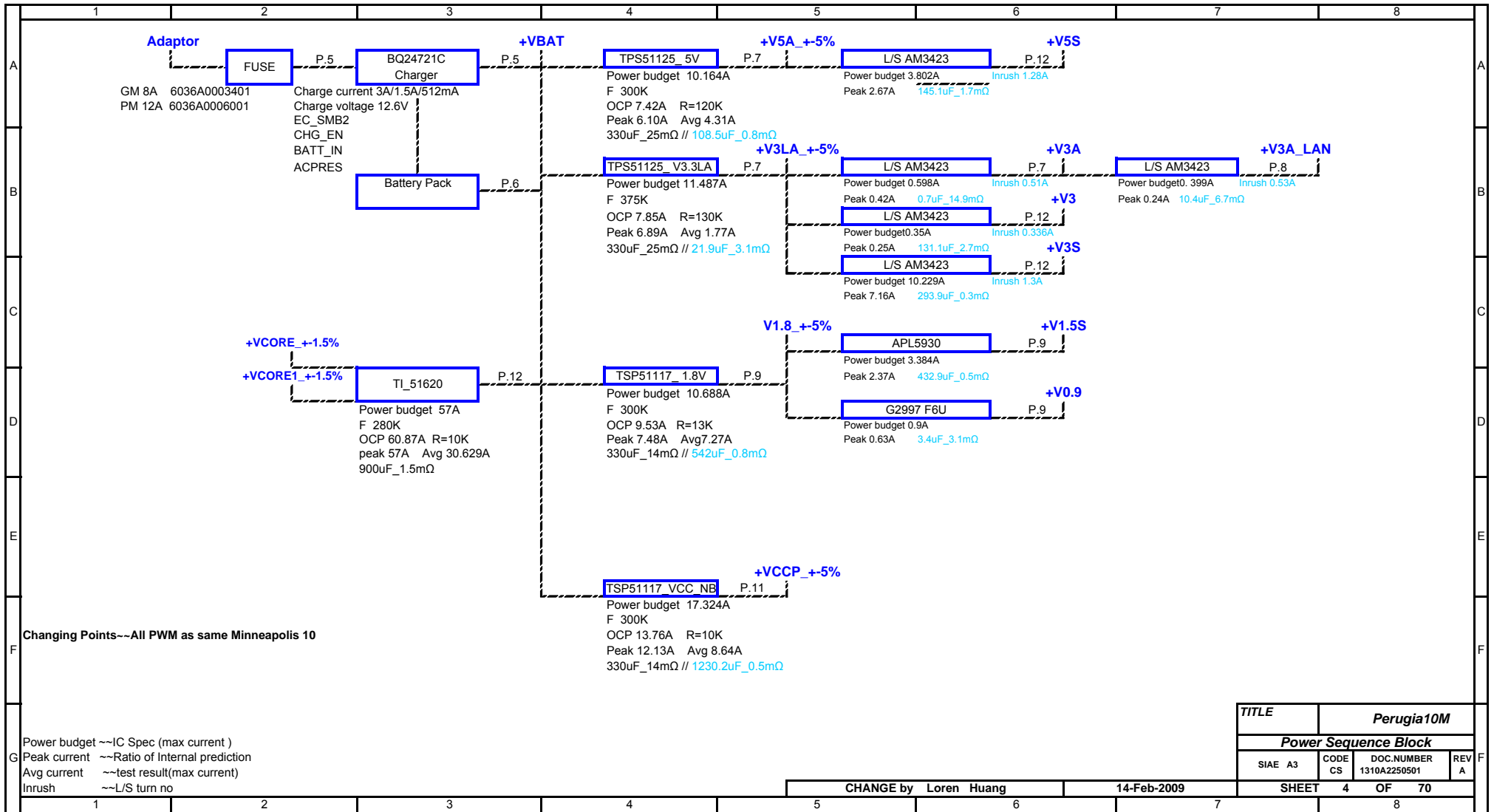
SIZE A3	CODE CS	DOC. NUMBER <i>1310A2250501</i>	REV <i>x01</i>
-------------------	-------------------	------------------------------------	-------------------

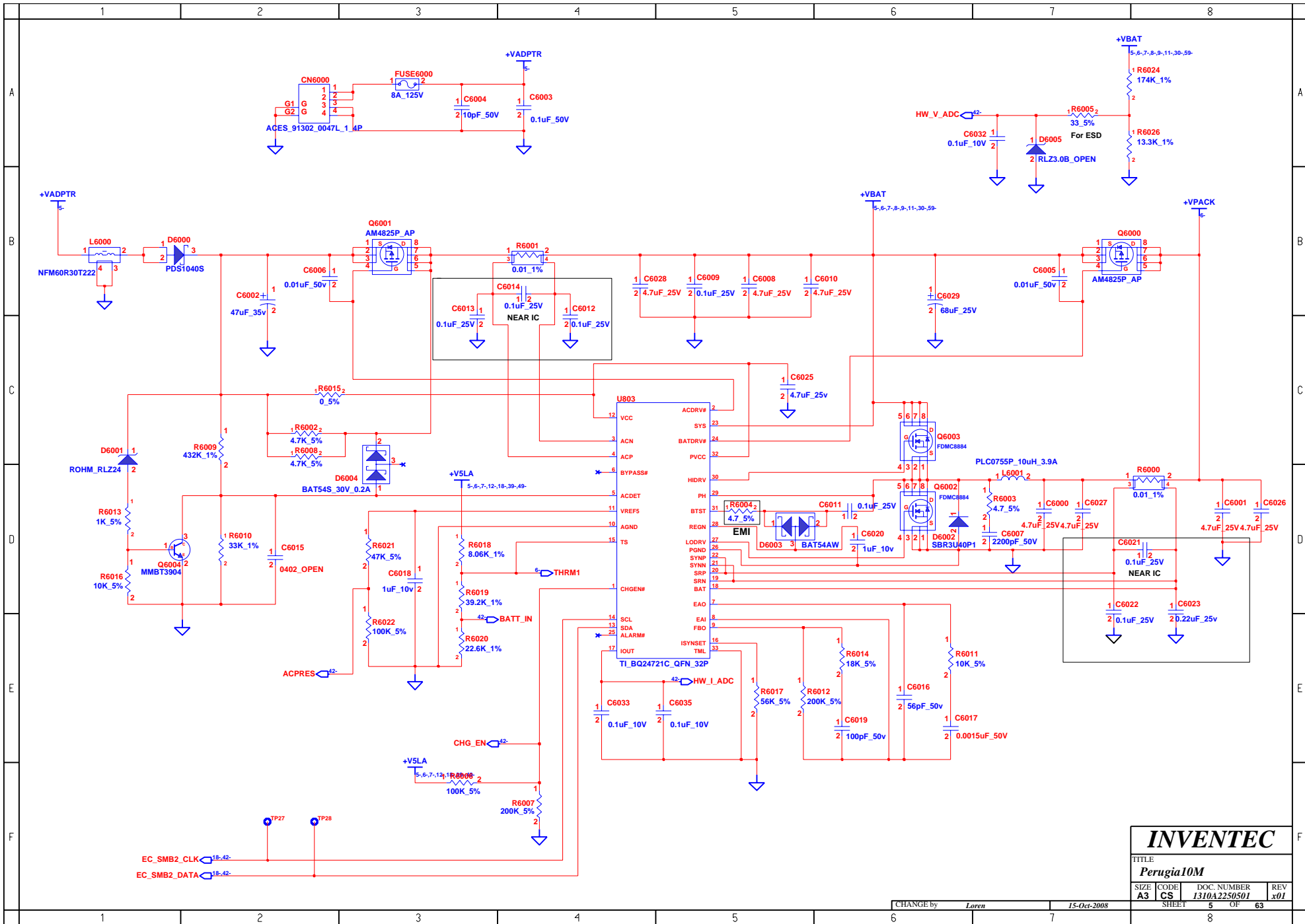
CHANGE by *Loren* *24-Mar-2009*

SHEET **2** OF **63**



INVENTEC			
TITLE <i>Perugia10M</i>			
SIZE A3	CODE CS	DOC. NUMBER <i>1310A2250501</i>	REV <i>x01</i>
CHANGE by <i>Loren</i>		15-Apr-2009	
SHEET 3		OF 63	





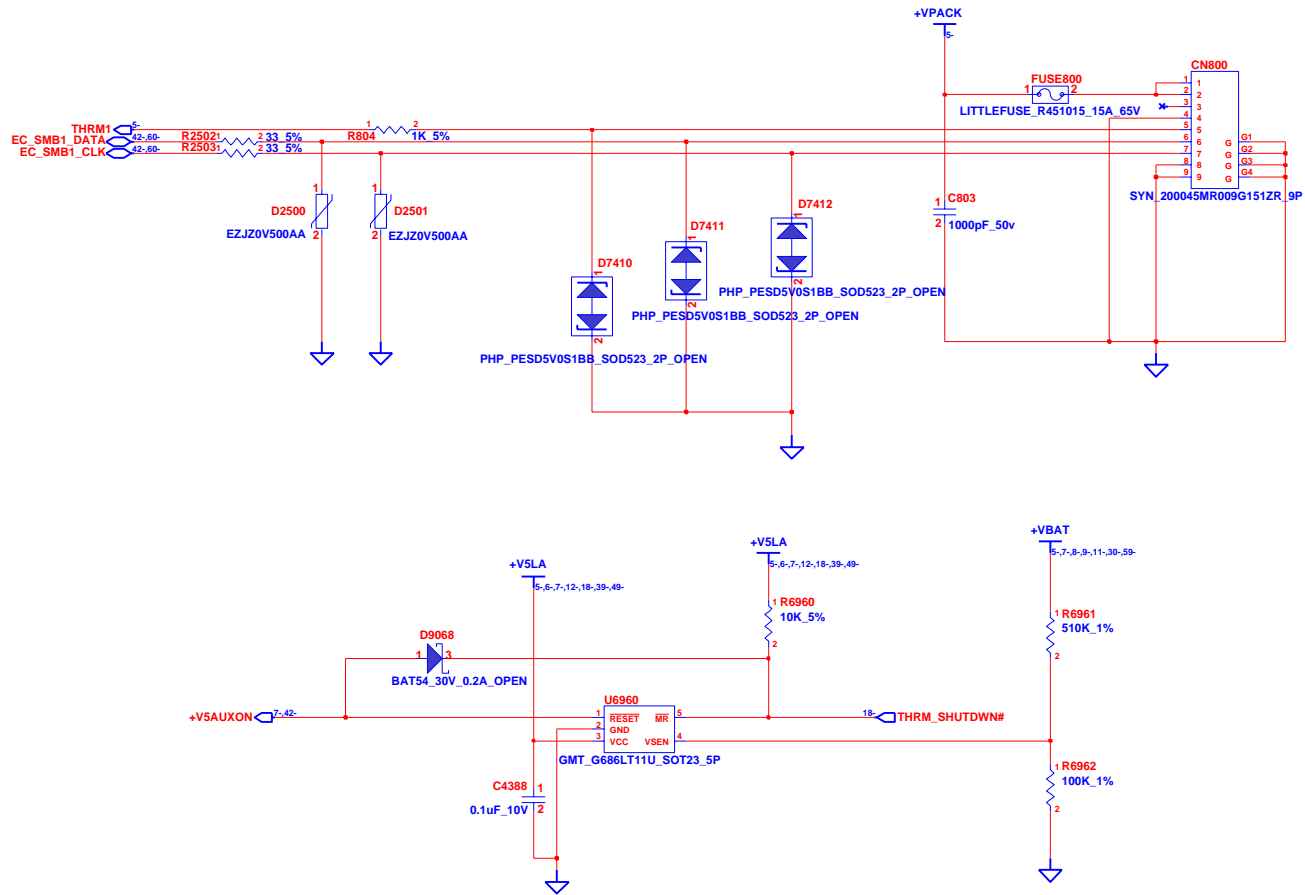
INVENTEC

TITLE
Perugia10M

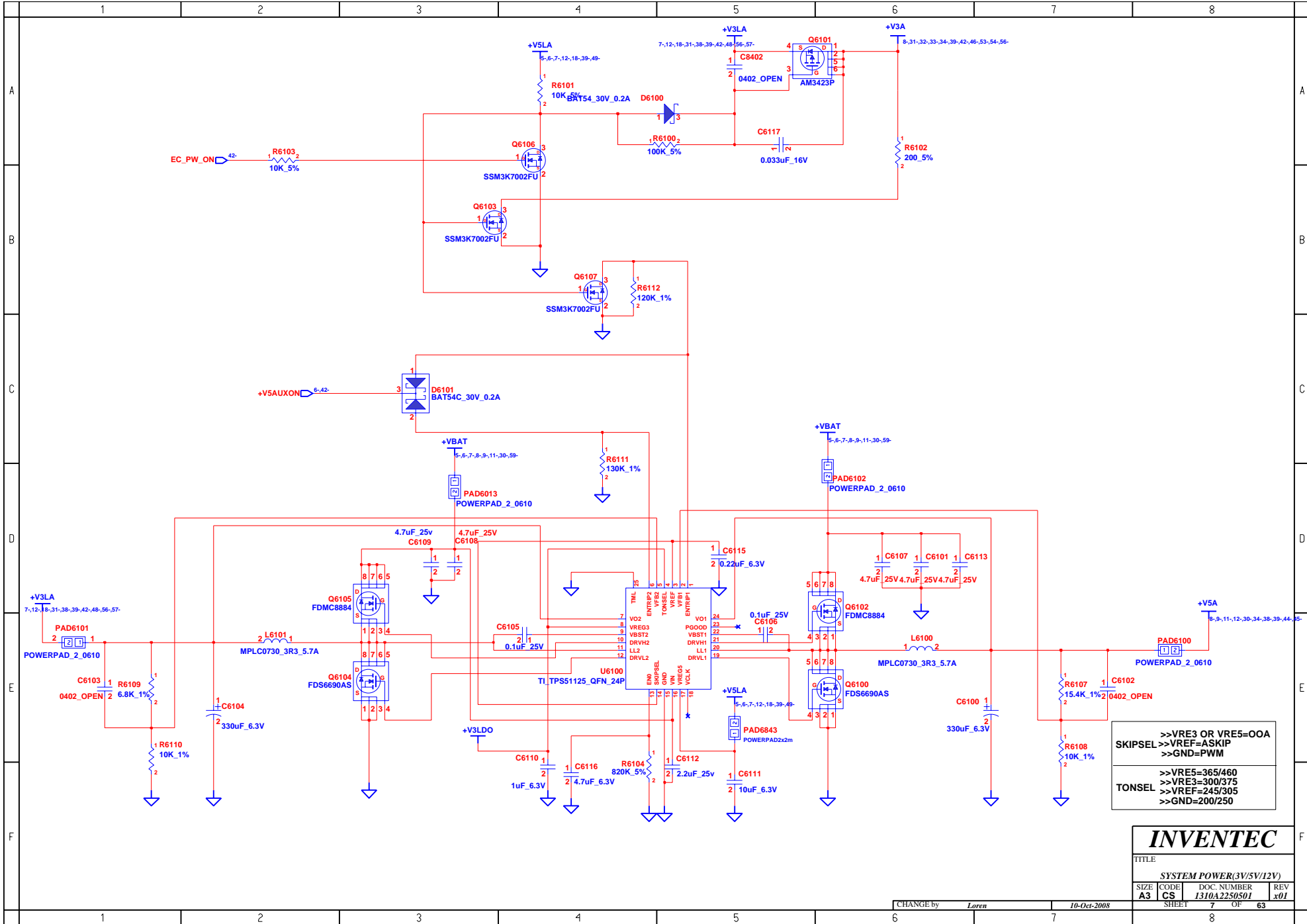
SIZE A3	CODE CS	DOC. NUMBER I310A2250501	REV x01
------------	------------	-----------------------------	------------

CHANGE by Loren 15-Oct-2008

SHEET 5 OF 63



INVENTEC			
TITLE			
SELECT & BATTERY CONN			
SIZE	CODE	DOC. NUMBER	REV
A3	CS	1310A2250501	x01
CHANGE by		10-Oct-2008	
Loren		SHEET 6 OF 63	



>>VRE3 OR VRE5=OOA
 SKIPSEL>>VREF=ASKIP
 >>GND=PWM

 >>VRE5=365/460
 >>VRE3=300/375
 TONSEL >>VREF=245/305
 >>GND=200/250

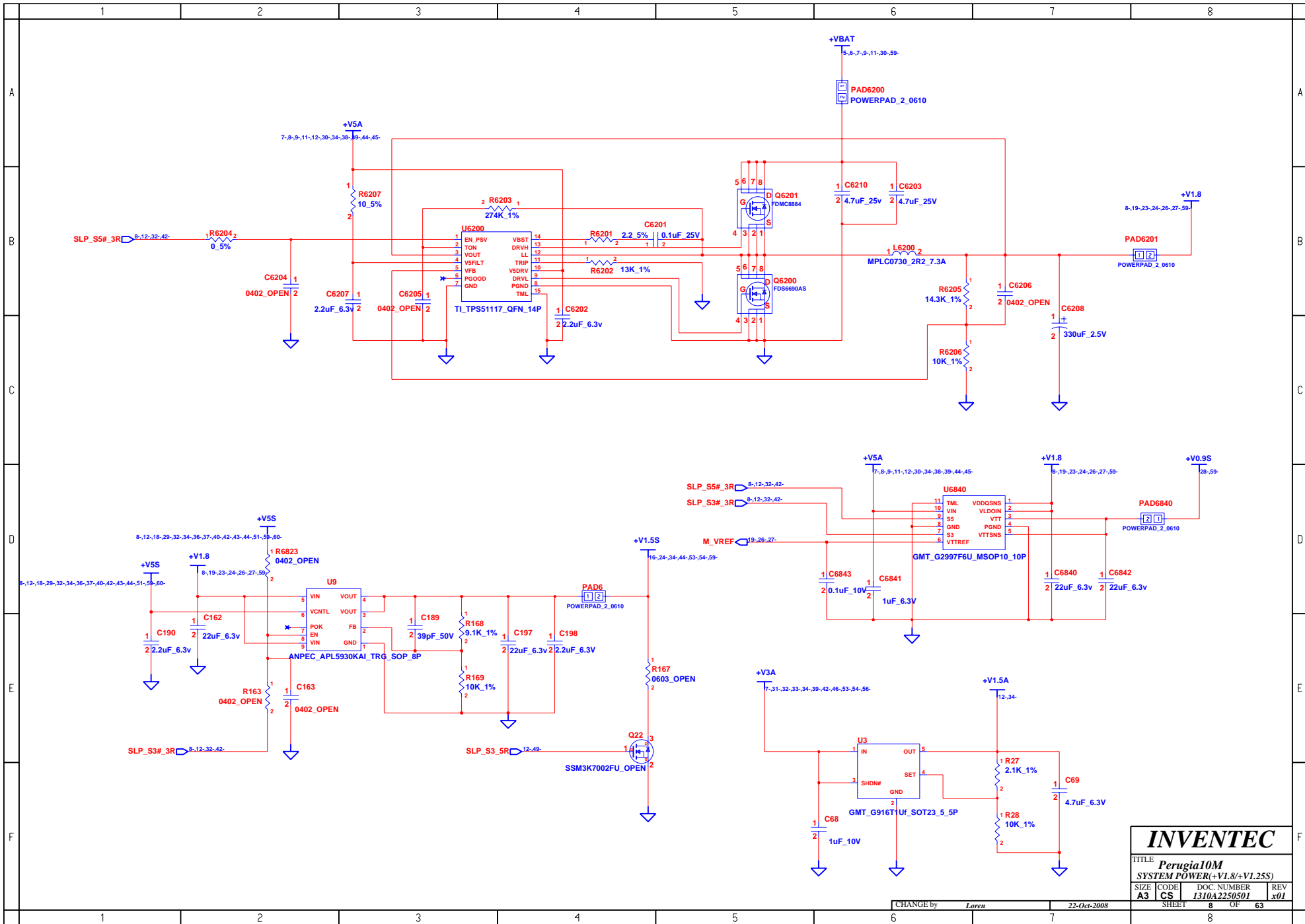
INVENTEC

TITLE
SYSTEM POWER(3V/5V/12V)

SIZE	CODE	DOC. NUMBER	REV
A3	CS	1310A2250501	x01

CHANGE by Loren 10-Oct-2008

SHEET 7 OF 63



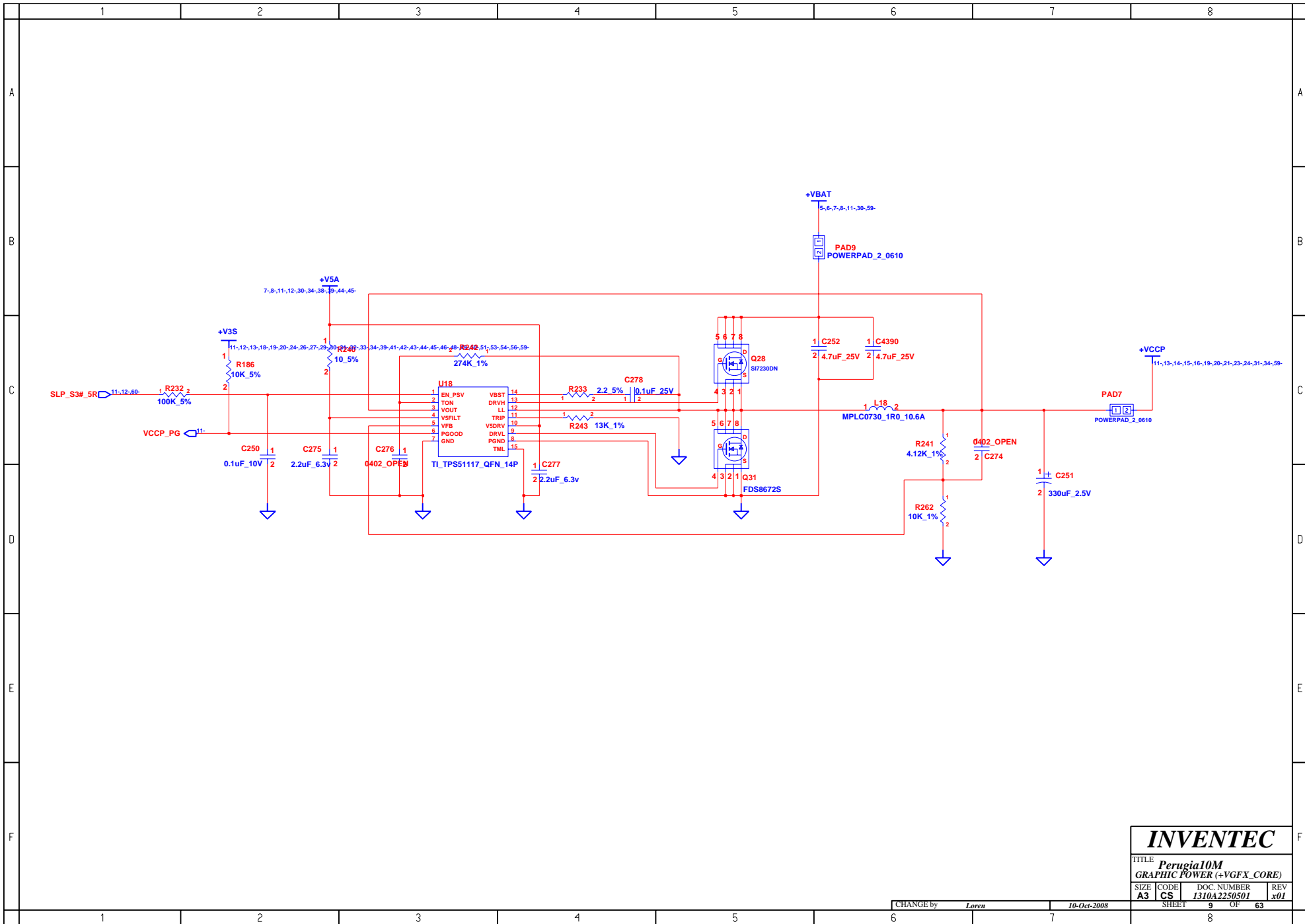
INVENTEC

TITLE
Perugia10M
 SYSTEM POWER(+V1.8/+V1.25S)

SIZE A3	CODE CS	DOC NUMBER I310A2250501	REV x01
-------------------	-------------------	-----------------------------------	-------------------

CHANGE by *Loren* 22-Oct-2008

SHEET 8 OF 63



INVENTEC

TITLE
Perugia10M
 GRAPHIC POWER (+VGF_X CORE)

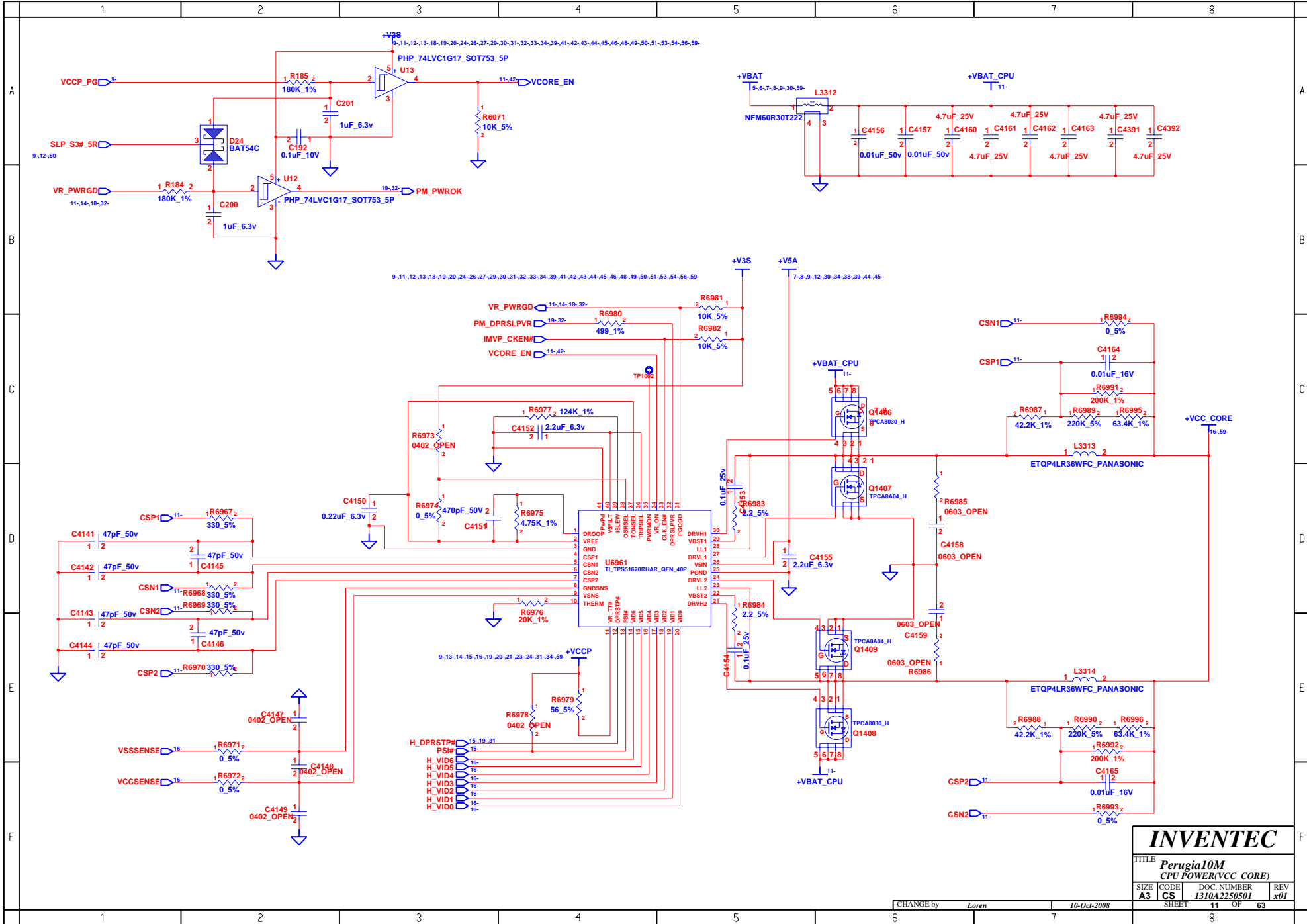
SIZE A3	CODE CS	DOC. NUMBER 1310A2250501	REV x01
-------------------	-------------------	------------------------------------	-------------------

CHANGE by *Loren* 10-Oct-2008

SHEET 9 OF 63

BLANK

INVENTEC			
TITLE Perugia10M			
SYSTEM POWER(+VCCP/+V1.5S)			
SIZE	CODE	DOC. NUMBER	REV
A3	CS	1310A2250501	x01
CHANGE by <i>Loren</i>		10-Oct-2008	
SHEET		10	OF 63



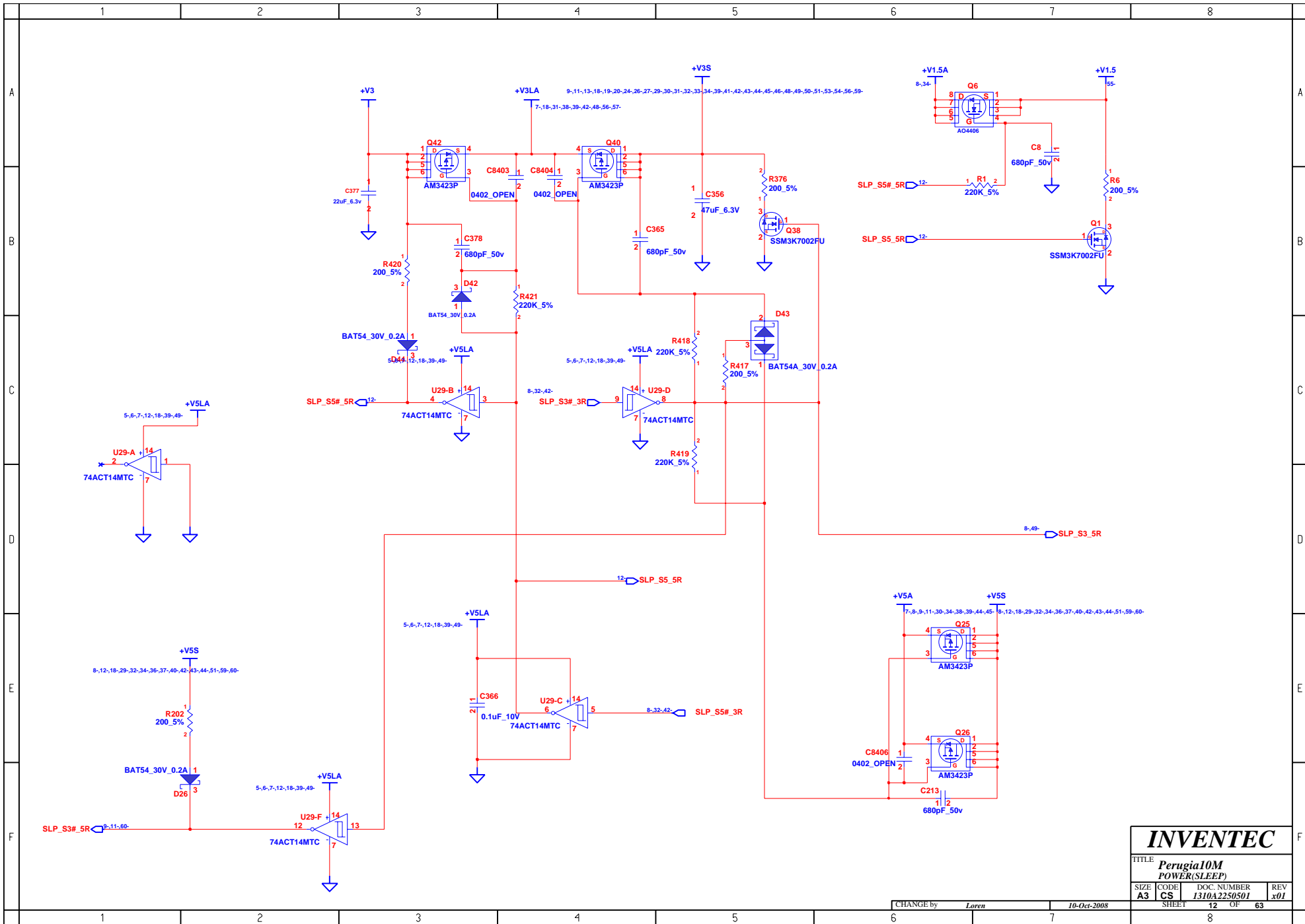
INVENTEC

TITLE
Perugia10M
 CPU POWER(VCC CORE)

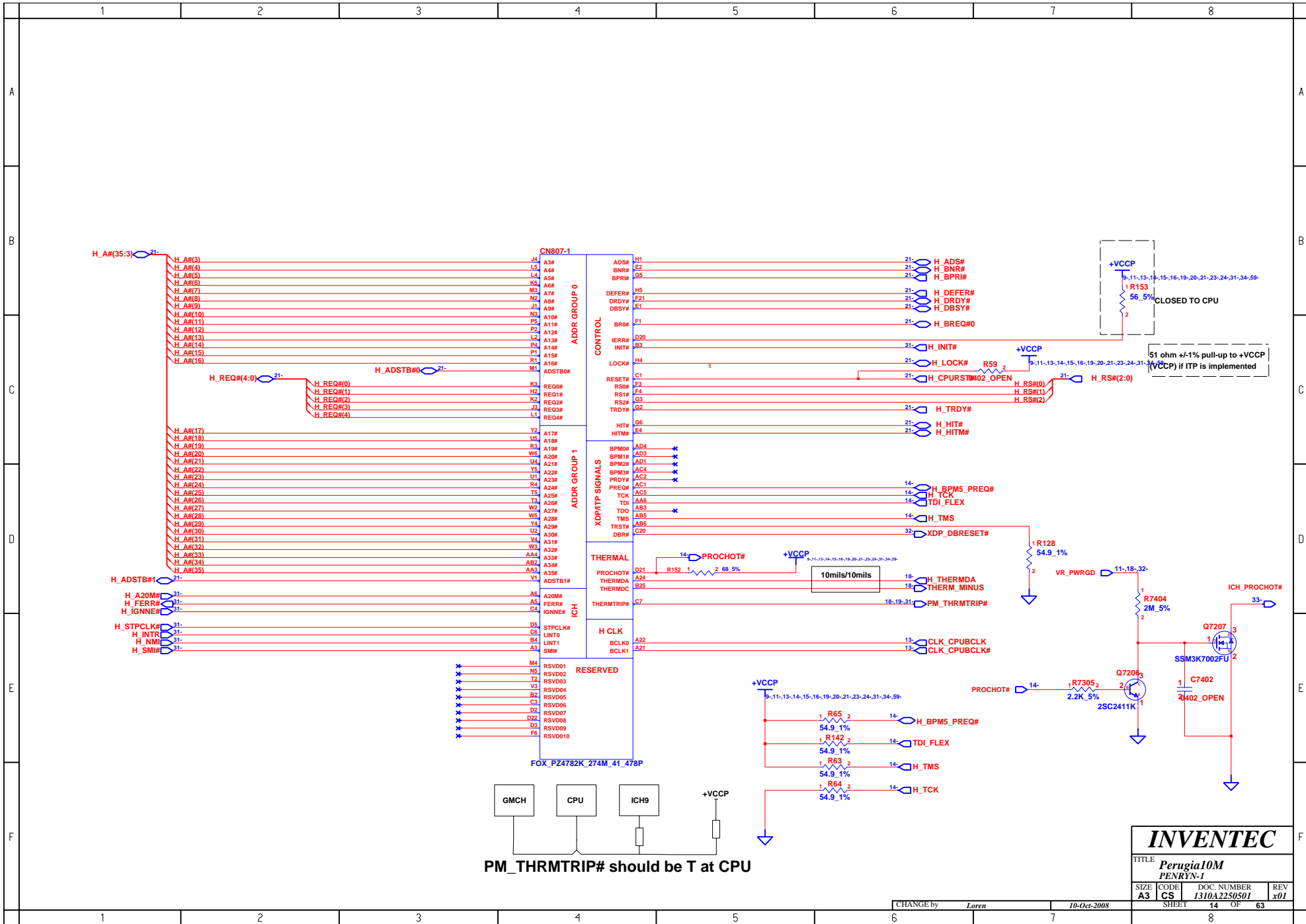
SIZE	CODE	DOC. NUMBER	REV
A3	CS	1310A2250501	x01

CHANGE by *Loren* 10-Oct-2008

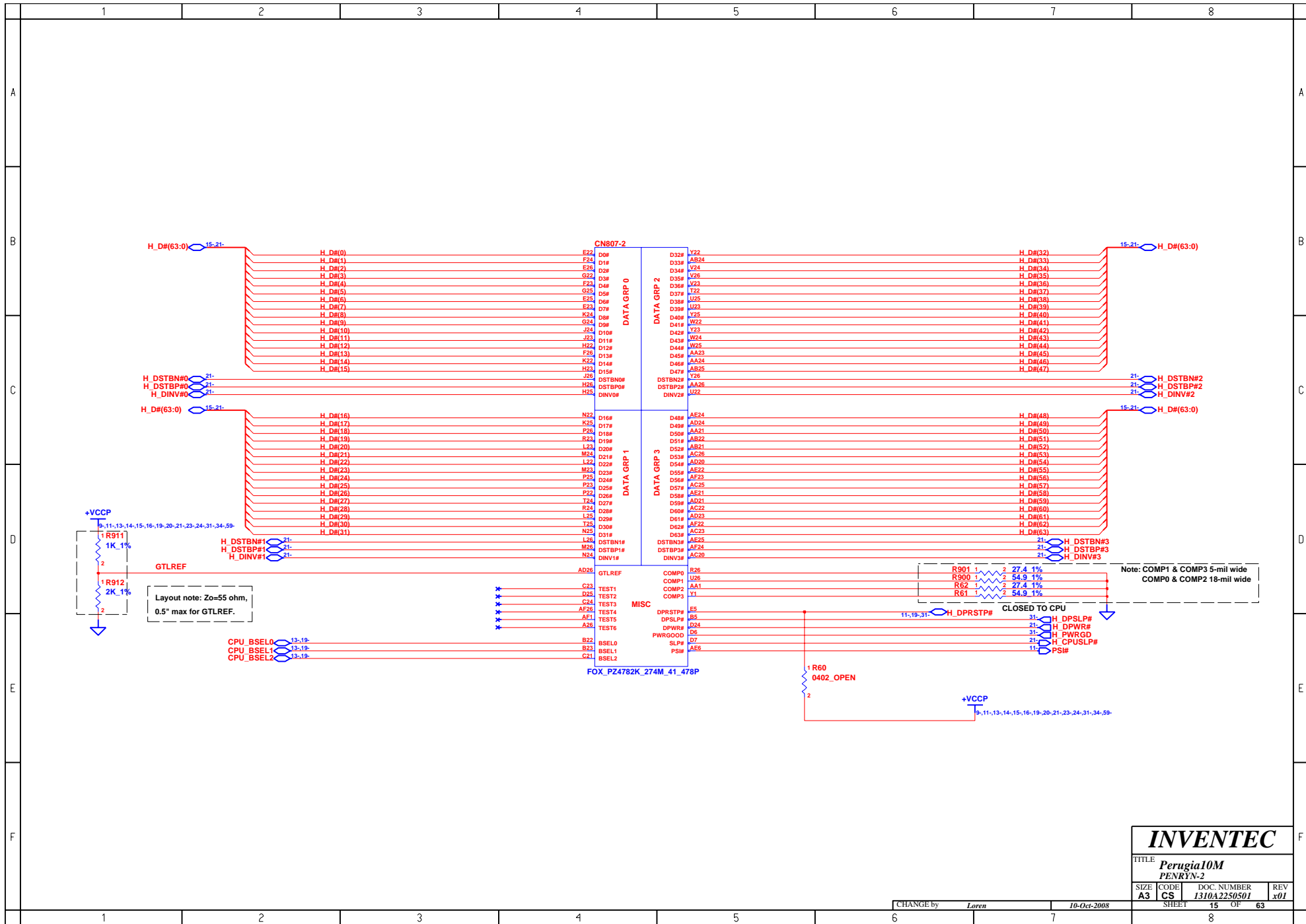
SHEET 11 OF 63

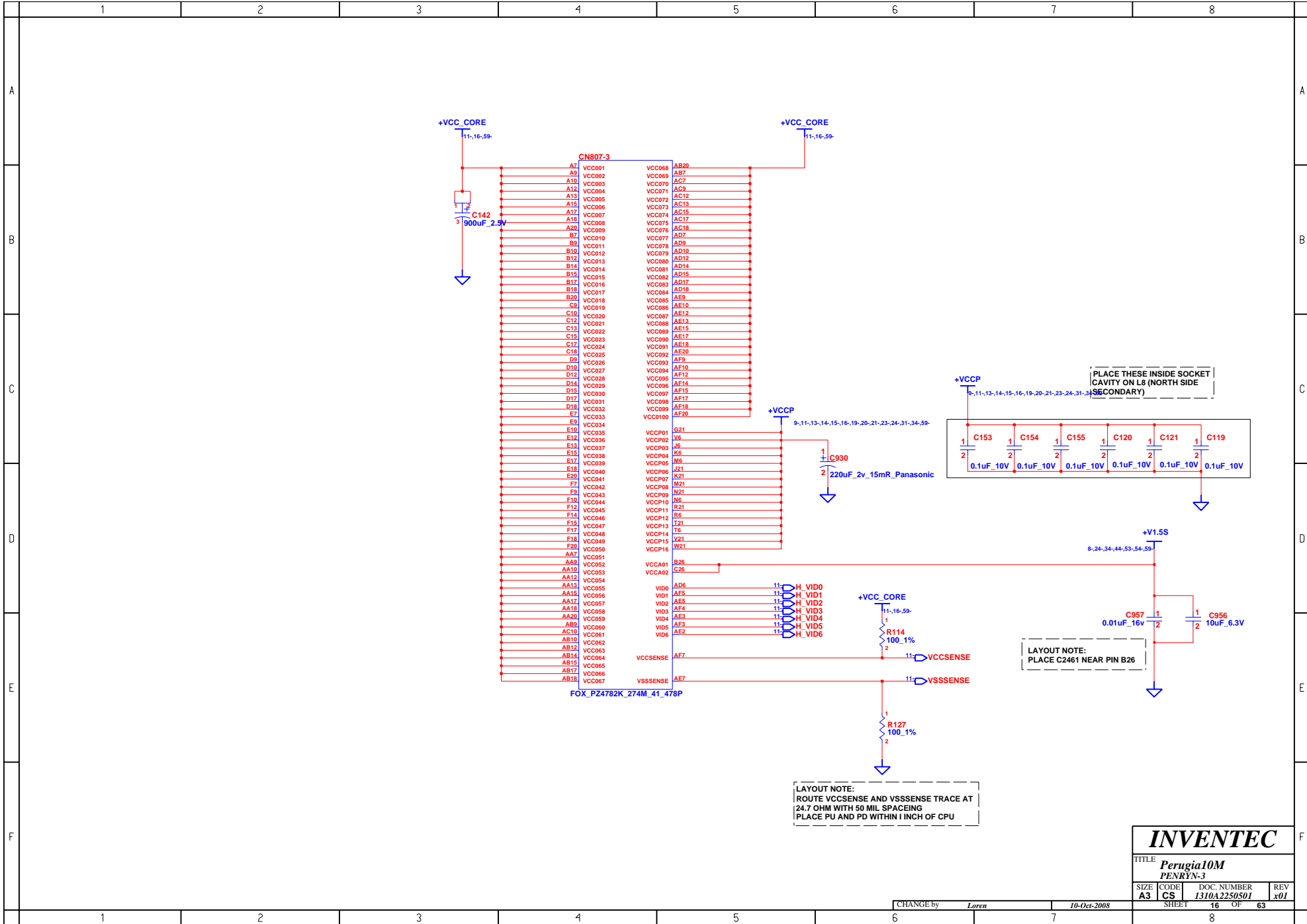


INVENTEC			
TITLE Perugia10M POWER(SLEEP)			
SIZE A3	CODE CS	DOC. NUMBER I310A2250501	REV x01
CHANGE by <i>Loren</i>		16-Oct-2008	
SHEET 12		OF 63	



INVENTEC			
TITLE <i>Perugia10M PENRYN-1</i>			
SIZE A3	CODE CS	DOC. NUMBER <i>1310A2250501</i>	REV x01
CHANGE by <i>Loren</i>		10-Oct-2008	
SHEET 14		OF 63	



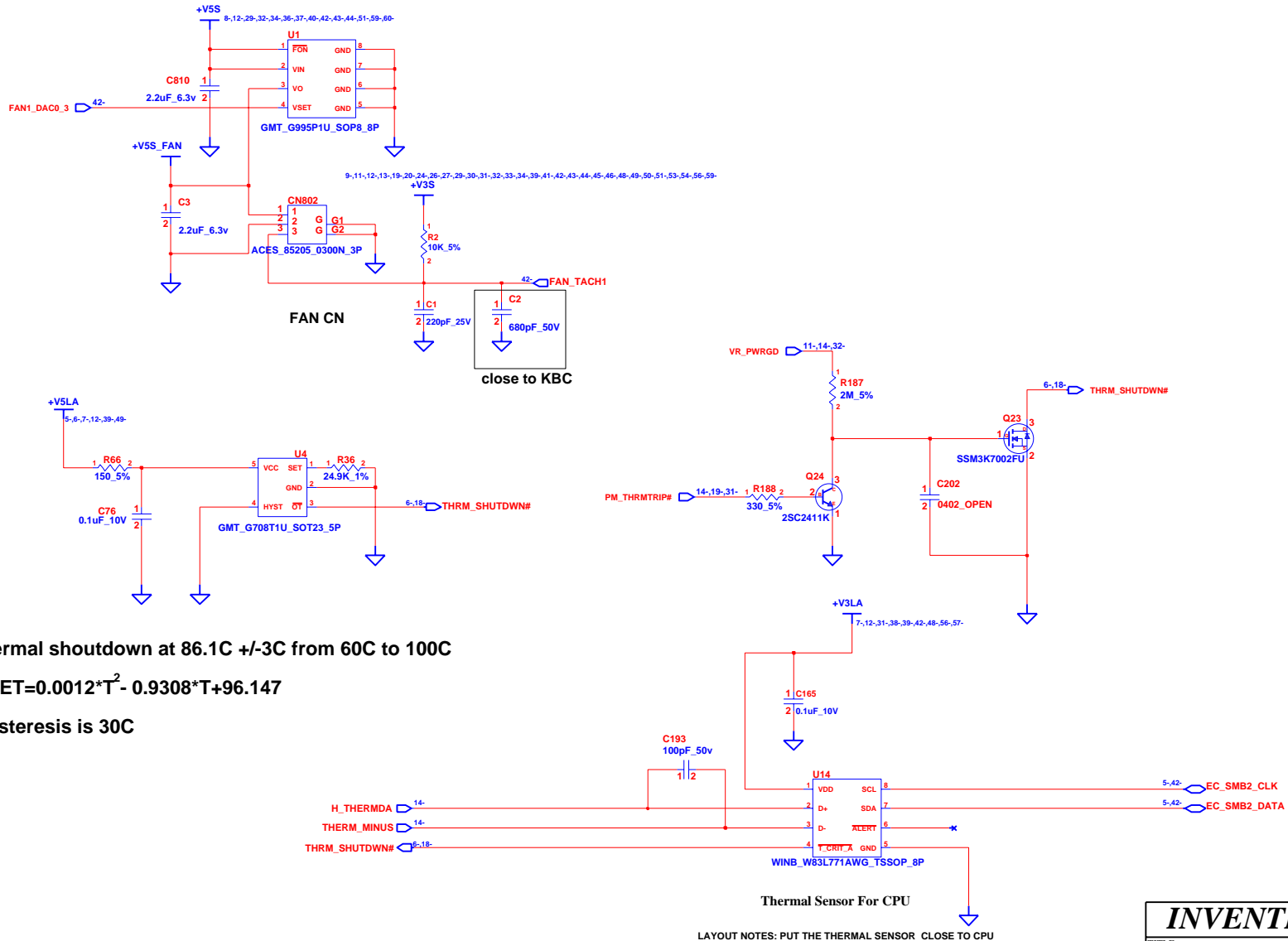


INVENTEC

TITLE			
Perugia10M			
PENRYN-3			
SIZE	CODE	DOC. NUMBER	REV
A3	CS	1310A2250501	x01
CHANGE by Loren			10-Oct-2008
SHEET 16			OF 63

	1	2	3	4	5	6	7	8																																																																																																																																																																																																																																																																																																																																									
A	<p style="color: red; font-weight: bold;">CN807-4</p> <table border="1" style="margin: auto; border-collapse: collapse;"> <tr><td style="color: red;">A4</td><td>VSS001</td><td>VSS002</td><td>P6</td></tr> <tr><td style="color: red;">A8</td><td>VSS002</td><td>VSS003</td><td>P21</td></tr> <tr><td style="color: red;">A11</td><td>VSS003</td><td>VSS004</td><td>P24</td></tr> <tr><td style="color: red;">A14</td><td>VSS004</td><td>VSS005</td><td>R2</td></tr> <tr><td style="color: red;">A16</td><td>VSS005</td><td>VSS006</td><td>R5</td></tr> <tr><td style="color: red;">A19</td><td>VSS006</td><td>VSS007</td><td>R22</td></tr> <tr><td style="color: red;">A23</td><td>VSS007</td><td>VSS008</td><td>R25</td></tr> <tr><td style="color: red;">AF2</td><td>VSS008</td><td>VSS009</td><td>T1</td></tr> <tr><td style="color: red;">B6</td><td>VSS009</td><td>VSS010</td><td>T4</td></tr> <tr><td style="color: red;">B8</td><td>VSS010</td><td>VSS011</td><td>T23</td></tr> <tr><td style="color: red;">B11</td><td>VSS011</td><td>VSS012</td><td>T28</td></tr> <tr><td style="color: red;">B13</td><td>VSS012</td><td>VSS013</td><td>U3</td></tr> <tr><td style="color: red;">B16</td><td>VSS013</td><td>VSS014</td><td>U6</td></tr> <tr><td style="color: red;">B19</td><td>VSS014</td><td>VSS015</td><td>U21</td></tr> <tr><td style="color: red;">B21</td><td>VSS015</td><td>VSS016</td><td>U24</td></tr> <tr><td style="color: red;">B24</td><td>VSS016</td><td>VSS017</td><td>V2</td></tr> <tr><td style="color: red;">C5</td><td>VSS017</td><td>VSS018</td><td>V5</td></tr> <tr><td style="color: red;">C8</td><td>VSS018</td><td>VSS019</td><td>V22</td></tr> <tr><td style="color: red;">C11</td><td>VSS019</td><td>VSS020</td><td>V25</td></tr> <tr><td style="color: red;">C14</td><td>VSS020</td><td>VSS021</td><td>W1</td></tr> <tr><td style="color: red;">C16</td><td>VSS021</td><td>VSS022</td><td>W4</td></tr> <tr><td style="color: red;">C19</td><td>VSS022</td><td>VSS023</td><td>W23</td></tr> <tr><td style="color: red;">C2</td><td>VSS023</td><td>VSS024</td><td>W26</td></tr> <tr><td style="color: red;">C22</td><td>VSS024</td><td>VSS025</td><td>Y3</td></tr> <tr><td style="color: red;">C25</td><td>VSS025</td><td>VSS026</td><td>Y6</td></tr> <tr><td style="color: red;">D1</td><td>VSS026</td><td>VSS027</td><td>Y21</td></tr> <tr><td style="color: red;">D4</td><td>VSS027</td><td>VSS028</td><td>Y24</td></tr> <tr><td style="color: red;">D8</td><td>VSS028</td><td>VSS029</td><td>AA2</td></tr> <tr><td style="color: red;">D11</td><td>VSS029</td><td>VSS030</td><td>AA5</td></tr> <tr><td style="color: red;">D13</td><td>VSS030</td><td>VSS031</td><td>AA8</td></tr> <tr><td style="color: red;">D16</td><td>VSS031</td><td>VSS032</td><td>AA11</td></tr> <tr><td style="color: red;">D19</td><td>VSS032</td><td>VSS033</td><td>AA14</td></tr> <tr><td style="color: red;">D23</td><td>VSS033</td><td>VSS034</td><td>AA16</td></tr> <tr><td style="color: red;">D26</td><td>VSS034</td><td>VSS035</td><td>AA19</td></tr> <tr><td style="color: red;">E3</td><td>VSS035</td><td>VSS036</td><td>AA22</td></tr> <tr><td style="color: red;">E6</td><td>VSS036</td><td>VSS037</td><td>AA25</td></tr> <tr><td style="color: red;">E8</td><td>VSS037</td><td>VSS038</td><td>AB1</td></tr> <tr><td style="color: red;">E11</td><td>VSS038</td><td>VSS039</td><td>AB4</td></tr> <tr><td style="color: red;">E14</td><td>VSS039</td><td>VSS040</td><td>AB8</td></tr> <tr><td style="color: red;">E16</td><td>VSS040</td><td>VSS041</td><td>AB11</td></tr> <tr><td style="color: red;">E19</td><td>VSS041</td><td>VSS042</td><td>AB13</td></tr> <tr><td style="color: red;">E21</td><td>VSS042</td><td>VSS043</td><td>AB16</td></tr> <tr><td style="color: red;">E24</td><td>VSS043</td><td>VSS044</td><td>AB18</td></tr> <tr><td style="color: red;">F5</td><td>VSS044</td><td>VSS045</td><td>AB23</td></tr> <tr><td style="color: red;">F8</td><td>VSS045</td><td>VSS046</td><td>AB26</td></tr> <tr><td style="color: red;">F11</td><td>VSS046</td><td>VSS047</td><td>AC3</td></tr> <tr><td style="color: red;">F13</td><td>VSS047</td><td>VSS048</td><td>AC6</td></tr> <tr><td style="color: red;">F16</td><td>VSS048</td><td>VSS049</td><td>AC8</td></tr> <tr><td style="color: red;">F19</td><td>VSS049</td><td>VSS050</td><td>AC11</td></tr> <tr><td style="color: red;">F2</td><td>VSS050</td><td>VSS051</td><td>AC14</td></tr> <tr><td style="color: red;">F22</td><td>VSS051</td><td>VSS052</td><td>AC15</td></tr> <tr><td style="color: red;">F25</td><td>VSS052</td><td>VSS053</td><td>AC19</td></tr> <tr><td style="color: red;">G4</td><td>VSS053</td><td>VSS054</td><td>AC21</td></tr> <tr><td style="color: red;">G1</td><td>VSS054</td><td>VSS055</td><td>AC24</td></tr> <tr><td style="color: red;">G23</td><td>VSS055</td><td>VSS056</td><td>AD2</td></tr> <tr><td style="color: red;">G26</td><td>VSS056</td><td>VSS057</td><td>AD5</td></tr> <tr><td style="color: red;">H3</td><td>VSS057</td><td>VSS058</td><td>AD8</td></tr> <tr><td style="color: red;">H6</td><td>VSS058</td><td>VSS059</td><td>AD11</td></tr> <tr><td style="color: red;">H21</td><td>VSS059</td><td>VSS060</td><td>AD13</td></tr> <tr><td style="color: red;">H24</td><td>VSS060</td><td>VSS061</td><td>AD16</td></tr> <tr><td style="color: red;">J4</td><td>VSS061</td><td>VSS062</td><td>AD19</td></tr> <tr><td style="color: red;">J5</td><td>VSS062</td><td>VSS063</td><td>AD22</td></tr> <tr><td style="color: red;">J22</td><td>VSS063</td><td>VSS064</td><td>AD25</td></tr> <tr><td style="color: red;">J25</td><td>VSS064</td><td>VSS065</td><td>AE1</td></tr> <tr><td style="color: red;">K1</td><td>VSS065</td><td>VSS066</td><td>AE4</td></tr> <tr><td style="color: red;">K4</td><td>VSS066</td><td>VSS067</td><td>AE8</td></tr> <tr><td style="color: red;">K23</td><td>VSS067</td><td>VSS068</td><td>AE11</td></tr> <tr><td style="color: red;">K26</td><td>VSS068</td><td>VSS069</td><td>AE14</td></tr> <tr><td style="color: red;">L3</td><td>VSS069</td><td>VSS070</td><td>AE16</td></tr> <tr><td style="color: red;">L6</td><td>VSS070</td><td>VSS071</td><td>AE19</td></tr> <tr><td style="color: red;">L21</td><td>VSS071</td><td>VSS072</td><td>AE23</td></tr> <tr><td style="color: red;">L24</td><td>VSS072</td><td>VSS073</td><td>AE26</td></tr> <tr><td style="color: red;">M2</td><td>VSS073</td><td>VSS074</td><td>AF</td></tr> <tr><td style="color: red;">M5</td><td>VSS074</td><td>VSS075</td><td>AF6</td></tr> <tr><td style="color: red;">M22</td><td>VSS075</td><td>VSS076</td><td>AF8</td></tr> <tr><td style="color: red;">M25</td><td>VSS076</td><td>VSS077</td><td>AF11</td></tr> <tr><td style="color: red;">N1</td><td>VSS077</td><td>VSS078</td><td>AF13</td></tr> <tr><td style="color: red;">N4</td><td>VSS078</td><td>VSS079</td><td>AF16</td></tr> <tr><td style="color: red;">N23</td><td>VSS079</td><td>VSS080</td><td>AF19</td></tr> <tr><td style="color: red;">N26</td><td>VSS080</td><td>VSS081</td><td>AF21</td></tr> <tr><td style="color: red;">P3</td><td>VSS081</td><td></td><td>AF25</td></tr> <tr><td style="color: red;">P6</td><td></td><td></td><td>AF25</td></tr> </table> <p style="color: blue; font-weight: bold; text-align: center;">FOX_PZ4782K_274M_41_478P</p>									A4	VSS001	VSS002	P6	A8	VSS002	VSS003	P21	A11	VSS003	VSS004	P24	A14	VSS004	VSS005	R2	A16	VSS005	VSS006	R5	A19	VSS006	VSS007	R22	A23	VSS007	VSS008	R25	AF2	VSS008	VSS009	T1	B6	VSS009	VSS010	T4	B8	VSS010	VSS011	T23	B11	VSS011	VSS012	T28	B13	VSS012	VSS013	U3	B16	VSS013	VSS014	U6	B19	VSS014	VSS015	U21	B21	VSS015	VSS016	U24	B24	VSS016	VSS017	V2	C5	VSS017	VSS018	V5	C8	VSS018	VSS019	V22	C11	VSS019	VSS020	V25	C14	VSS020	VSS021	W1	C16	VSS021	VSS022	W4	C19	VSS022	VSS023	W23	C2	VSS023	VSS024	W26	C22	VSS024	VSS025	Y3	C25	VSS025	VSS026	Y6	D1	VSS026	VSS027	Y21	D4	VSS027	VSS028	Y24	D8	VSS028	VSS029	AA2	D11	VSS029	VSS030	AA5	D13	VSS030	VSS031	AA8	D16	VSS031	VSS032	AA11	D19	VSS032	VSS033	AA14	D23	VSS033	VSS034	AA16	D26	VSS034	VSS035	AA19	E3	VSS035	VSS036	AA22	E6	VSS036	VSS037	AA25	E8	VSS037	VSS038	AB1	E11	VSS038	VSS039	AB4	E14	VSS039	VSS040	AB8	E16	VSS040	VSS041	AB11	E19	VSS041	VSS042	AB13	E21	VSS042	VSS043	AB16	E24	VSS043	VSS044	AB18	F5	VSS044	VSS045	AB23	F8	VSS045	VSS046	AB26	F11	VSS046	VSS047	AC3	F13	VSS047	VSS048	AC6	F16	VSS048	VSS049	AC8	F19	VSS049	VSS050	AC11	F2	VSS050	VSS051	AC14	F22	VSS051	VSS052	AC15	F25	VSS052	VSS053	AC19	G4	VSS053	VSS054	AC21	G1	VSS054	VSS055	AC24	G23	VSS055	VSS056	AD2	G26	VSS056	VSS057	AD5	H3	VSS057	VSS058	AD8	H6	VSS058	VSS059	AD11	H21	VSS059	VSS060	AD13	H24	VSS060	VSS061	AD16	J4	VSS061	VSS062	AD19	J5	VSS062	VSS063	AD22	J22	VSS063	VSS064	AD25	J25	VSS064	VSS065	AE1	K1	VSS065	VSS066	AE4	K4	VSS066	VSS067	AE8	K23	VSS067	VSS068	AE11	K26	VSS068	VSS069	AE14	L3	VSS069	VSS070	AE16	L6	VSS070	VSS071	AE19	L21	VSS071	VSS072	AE23	L24	VSS072	VSS073	AE26	M2	VSS073	VSS074	AF	M5	VSS074	VSS075	AF6	M22	VSS075	VSS076	AF8	M25	VSS076	VSS077	AF11	N1	VSS077	VSS078	AF13	N4	VSS078	VSS079	AF16	N23	VSS079	VSS080	AF19	N26	VSS080	VSS081	AF21	P3	VSS081		AF25	P6			AF25
A4	VSS001	VSS002	P6																																																																																																																																																																																																																																																																																																																																														
A8	VSS002	VSS003	P21																																																																																																																																																																																																																																																																																																																																														
A11	VSS003	VSS004	P24																																																																																																																																																																																																																																																																																																																																														
A14	VSS004	VSS005	R2																																																																																																																																																																																																																																																																																																																																														
A16	VSS005	VSS006	R5																																																																																																																																																																																																																																																																																																																																														
A19	VSS006	VSS007	R22																																																																																																																																																																																																																																																																																																																																														
A23	VSS007	VSS008	R25																																																																																																																																																																																																																																																																																																																																														
AF2	VSS008	VSS009	T1																																																																																																																																																																																																																																																																																																																																														
B6	VSS009	VSS010	T4																																																																																																																																																																																																																																																																																																																																														
B8	VSS010	VSS011	T23																																																																																																																																																																																																																																																																																																																																														
B11	VSS011	VSS012	T28																																																																																																																																																																																																																																																																																																																																														
B13	VSS012	VSS013	U3																																																																																																																																																																																																																																																																																																																																														
B16	VSS013	VSS014	U6																																																																																																																																																																																																																																																																																																																																														
B19	VSS014	VSS015	U21																																																																																																																																																																																																																																																																																																																																														
B21	VSS015	VSS016	U24																																																																																																																																																																																																																																																																																																																																														
B24	VSS016	VSS017	V2																																																																																																																																																																																																																																																																																																																																														
C5	VSS017	VSS018	V5																																																																																																																																																																																																																																																																																																																																														
C8	VSS018	VSS019	V22																																																																																																																																																																																																																																																																																																																																														
C11	VSS019	VSS020	V25																																																																																																																																																																																																																																																																																																																																														
C14	VSS020	VSS021	W1																																																																																																																																																																																																																																																																																																																																														
C16	VSS021	VSS022	W4																																																																																																																																																																																																																																																																																																																																														
C19	VSS022	VSS023	W23																																																																																																																																																																																																																																																																																																																																														
C2	VSS023	VSS024	W26																																																																																																																																																																																																																																																																																																																																														
C22	VSS024	VSS025	Y3																																																																																																																																																																																																																																																																																																																																														
C25	VSS025	VSS026	Y6																																																																																																																																																																																																																																																																																																																																														
D1	VSS026	VSS027	Y21																																																																																																																																																																																																																																																																																																																																														
D4	VSS027	VSS028	Y24																																																																																																																																																																																																																																																																																																																																														
D8	VSS028	VSS029	AA2																																																																																																																																																																																																																																																																																																																																														
D11	VSS029	VSS030	AA5																																																																																																																																																																																																																																																																																																																																														
D13	VSS030	VSS031	AA8																																																																																																																																																																																																																																																																																																																																														
D16	VSS031	VSS032	AA11																																																																																																																																																																																																																																																																																																																																														
D19	VSS032	VSS033	AA14																																																																																																																																																																																																																																																																																																																																														
D23	VSS033	VSS034	AA16																																																																																																																																																																																																																																																																																																																																														
D26	VSS034	VSS035	AA19																																																																																																																																																																																																																																																																																																																																														
E3	VSS035	VSS036	AA22																																																																																																																																																																																																																																																																																																																																														
E6	VSS036	VSS037	AA25																																																																																																																																																																																																																																																																																																																																														
E8	VSS037	VSS038	AB1																																																																																																																																																																																																																																																																																																																																														
E11	VSS038	VSS039	AB4																																																																																																																																																																																																																																																																																																																																														
E14	VSS039	VSS040	AB8																																																																																																																																																																																																																																																																																																																																														
E16	VSS040	VSS041	AB11																																																																																																																																																																																																																																																																																																																																														
E19	VSS041	VSS042	AB13																																																																																																																																																																																																																																																																																																																																														
E21	VSS042	VSS043	AB16																																																																																																																																																																																																																																																																																																																																														
E24	VSS043	VSS044	AB18																																																																																																																																																																																																																																																																																																																																														
F5	VSS044	VSS045	AB23																																																																																																																																																																																																																																																																																																																																														
F8	VSS045	VSS046	AB26																																																																																																																																																																																																																																																																																																																																														
F11	VSS046	VSS047	AC3																																																																																																																																																																																																																																																																																																																																														
F13	VSS047	VSS048	AC6																																																																																																																																																																																																																																																																																																																																														
F16	VSS048	VSS049	AC8																																																																																																																																																																																																																																																																																																																																														
F19	VSS049	VSS050	AC11																																																																																																																																																																																																																																																																																																																																														
F2	VSS050	VSS051	AC14																																																																																																																																																																																																																																																																																																																																														
F22	VSS051	VSS052	AC15																																																																																																																																																																																																																																																																																																																																														
F25	VSS052	VSS053	AC19																																																																																																																																																																																																																																																																																																																																														
G4	VSS053	VSS054	AC21																																																																																																																																																																																																																																																																																																																																														
G1	VSS054	VSS055	AC24																																																																																																																																																																																																																																																																																																																																														
G23	VSS055	VSS056	AD2																																																																																																																																																																																																																																																																																																																																														
G26	VSS056	VSS057	AD5																																																																																																																																																																																																																																																																																																																																														
H3	VSS057	VSS058	AD8																																																																																																																																																																																																																																																																																																																																														
H6	VSS058	VSS059	AD11																																																																																																																																																																																																																																																																																																																																														
H21	VSS059	VSS060	AD13																																																																																																																																																																																																																																																																																																																																														
H24	VSS060	VSS061	AD16																																																																																																																																																																																																																																																																																																																																														
J4	VSS061	VSS062	AD19																																																																																																																																																																																																																																																																																																																																														
J5	VSS062	VSS063	AD22																																																																																																																																																																																																																																																																																																																																														
J22	VSS063	VSS064	AD25																																																																																																																																																																																																																																																																																																																																														
J25	VSS064	VSS065	AE1																																																																																																																																																																																																																																																																																																																																														
K1	VSS065	VSS066	AE4																																																																																																																																																																																																																																																																																																																																														
K4	VSS066	VSS067	AE8																																																																																																																																																																																																																																																																																																																																														
K23	VSS067	VSS068	AE11																																																																																																																																																																																																																																																																																																																																														
K26	VSS068	VSS069	AE14																																																																																																																																																																																																																																																																																																																																														
L3	VSS069	VSS070	AE16																																																																																																																																																																																																																																																																																																																																														
L6	VSS070	VSS071	AE19																																																																																																																																																																																																																																																																																																																																														
L21	VSS071	VSS072	AE23																																																																																																																																																																																																																																																																																																																																														
L24	VSS072	VSS073	AE26																																																																																																																																																																																																																																																																																																																																														
M2	VSS073	VSS074	AF																																																																																																																																																																																																																																																																																																																																														
M5	VSS074	VSS075	AF6																																																																																																																																																																																																																																																																																																																																														
M22	VSS075	VSS076	AF8																																																																																																																																																																																																																																																																																																																																														
M25	VSS076	VSS077	AF11																																																																																																																																																																																																																																																																																																																																														
N1	VSS077	VSS078	AF13																																																																																																																																																																																																																																																																																																																																														
N4	VSS078	VSS079	AF16																																																																																																																																																																																																																																																																																																																																														
N23	VSS079	VSS080	AF19																																																																																																																																																																																																																																																																																																																																														
N26	VSS080	VSS081	AF21																																																																																																																																																																																																																																																																																																																																														
P3	VSS081		AF25																																																																																																																																																																																																																																																																																																																																														
P6			AF25																																																																																																																																																																																																																																																																																																																																														
B																																																																																																																																																																																																																																																																																																																																																	
C																																																																																																																																																																																																																																																																																																																																																	
D																																																																																																																																																																																																																																																																																																																																																	
E																																																																																																																																																																																																																																																																																																																																																	
F																																																																																																																																																																																																																																																																																																																																																	
	1	2	3	4	5	6	7	8																																																																																																																																																																																																																																																																																																																																									

INVENTEC			
TITLE Perugia10M PENRYN-4			
SIZE A3	CODE CS	DOC. NUMBER 1310A2250501	REV x01
CHANGE by Loren		16-Oct-2008	
SHEET 17		OF 63	



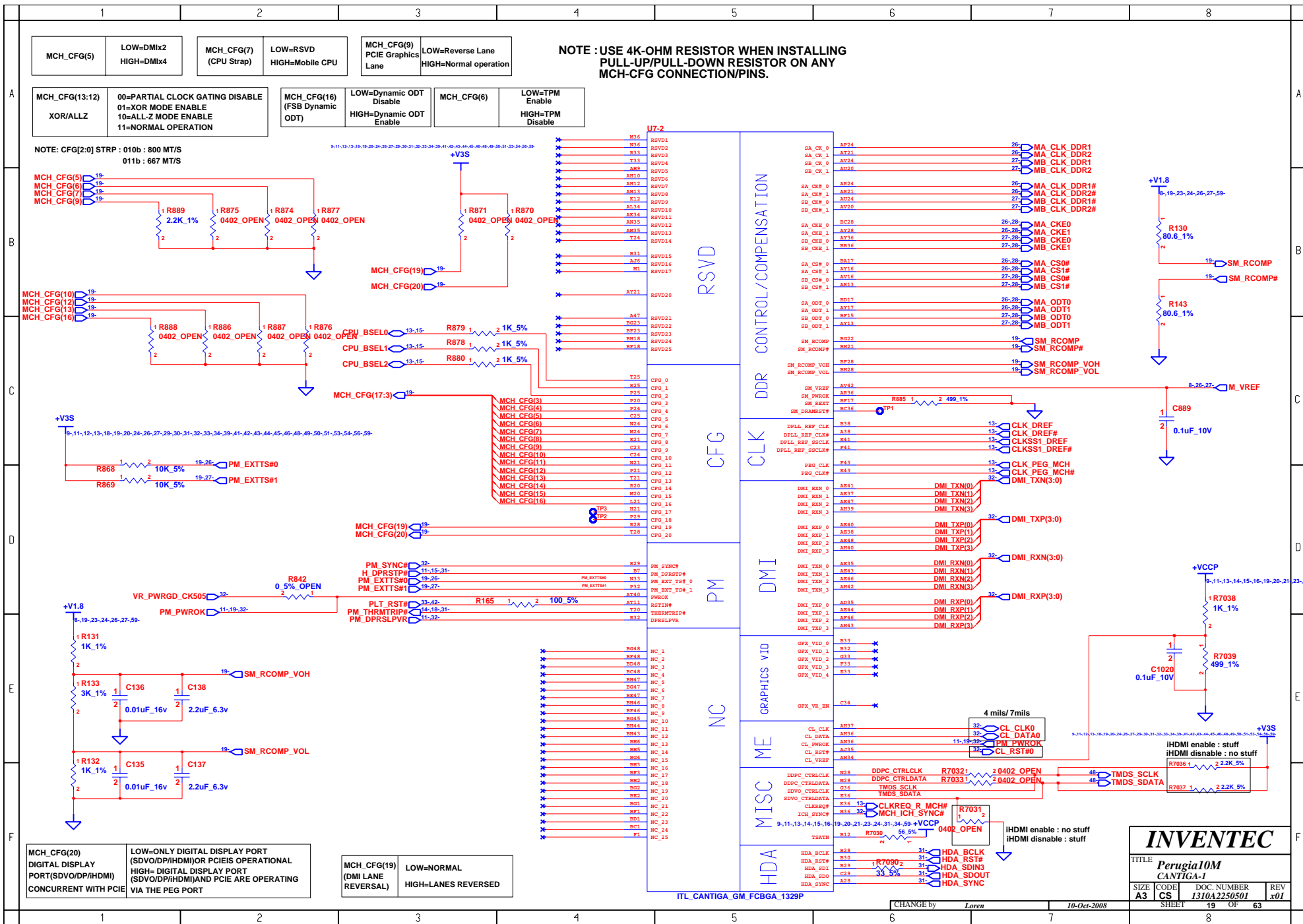
Thermal shutoff at 86.1C +/-3C from 60C to 100C

$$RSET=0.0012 \cdot T^2 - 0.9308 \cdot T + 96.147$$

Hysteresis is 30C

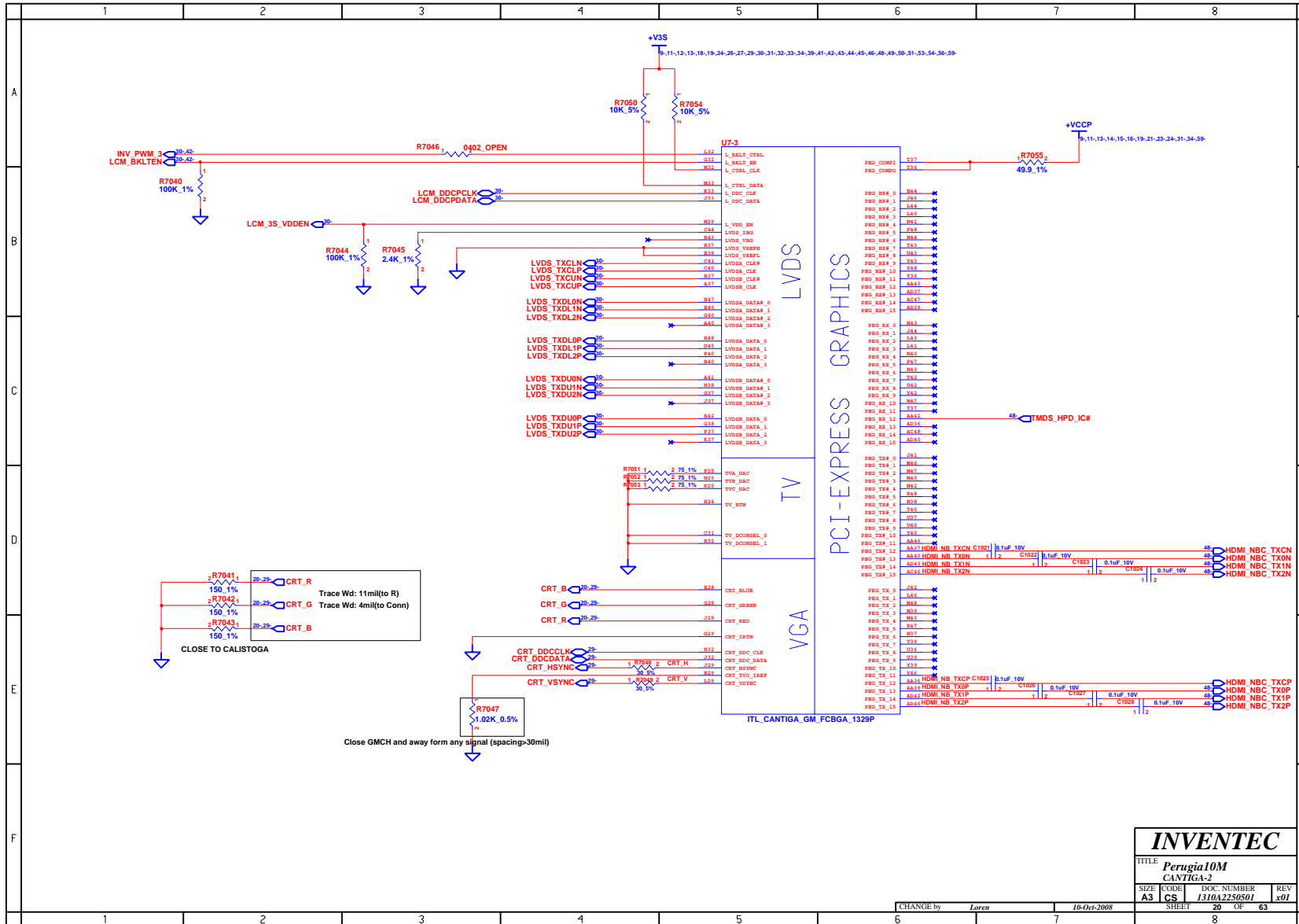
Thermal Sensor For CPU
LAYOUT NOTES: PUT THE THERMAL SENSOR CLOSE TO CPU

INVENTEC			
TITLE <i>Perugia10M</i> THERMAL&FAN CONTROLLER			
SIZE A3	CODE CS	DOC NUMBER I310A2250501	REV x01
CHANGE by <i>Loren</i>		10-Oct-2008	
SHEET 18		OF 63	



CHANGE by Loren 10-Oct-2008

INVENTEC			
TITLE: Perugia10M CANTIGA-1			
SIZE: A3	CODE: CS	DOC. NUMBER: 1310A2250501	REV: x01
SHEET: 19		OF 63	

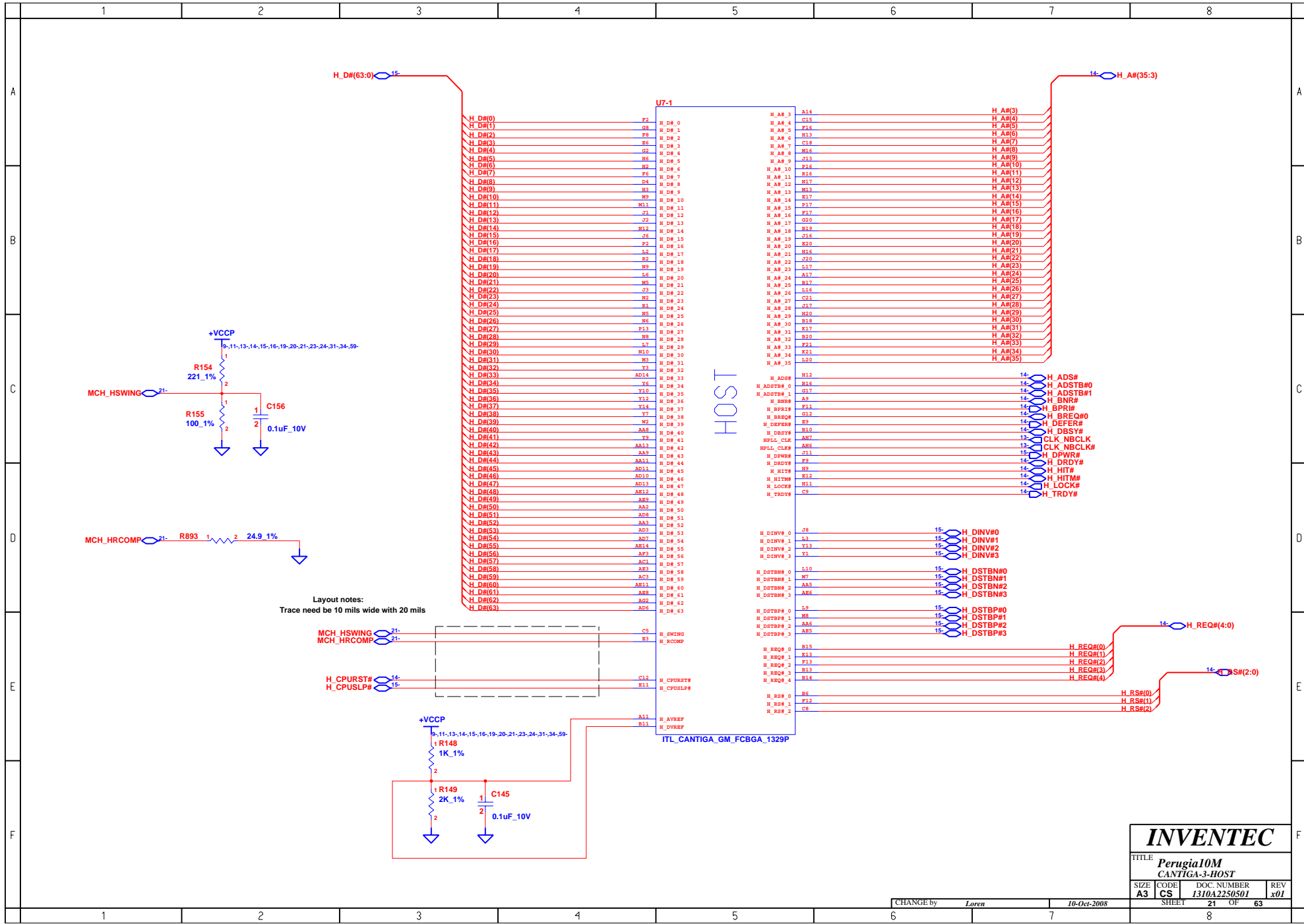


INVENTEC

TITLE **Perugia10M
CANTIGA-2**

SIZE **A3** CODE1 **CS** DOC NUMBER **1310A2250501** REV **x01**

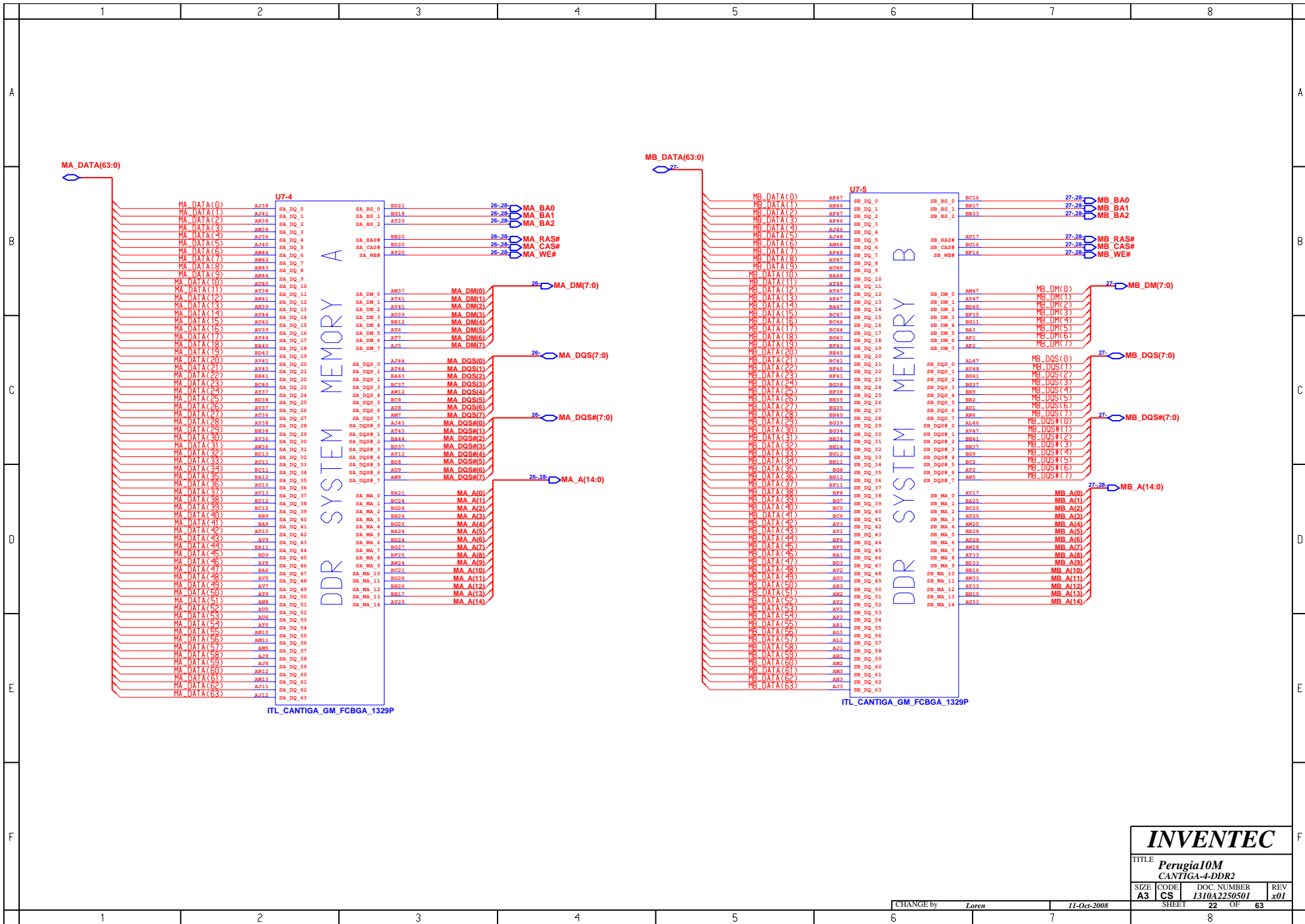
CHANGE by **Loren** 10-Oct-2008 SHEET **20** OF **63**



INVENTEC

TITLE
Perugia10M
CANTIGA-3-HOST

SIZE A3	CODE CS	DOC. NUMBER 1310A2250501	REV x01
CHANGE by Loren		10-Oct-2008	
SHEET 21		OF 63	

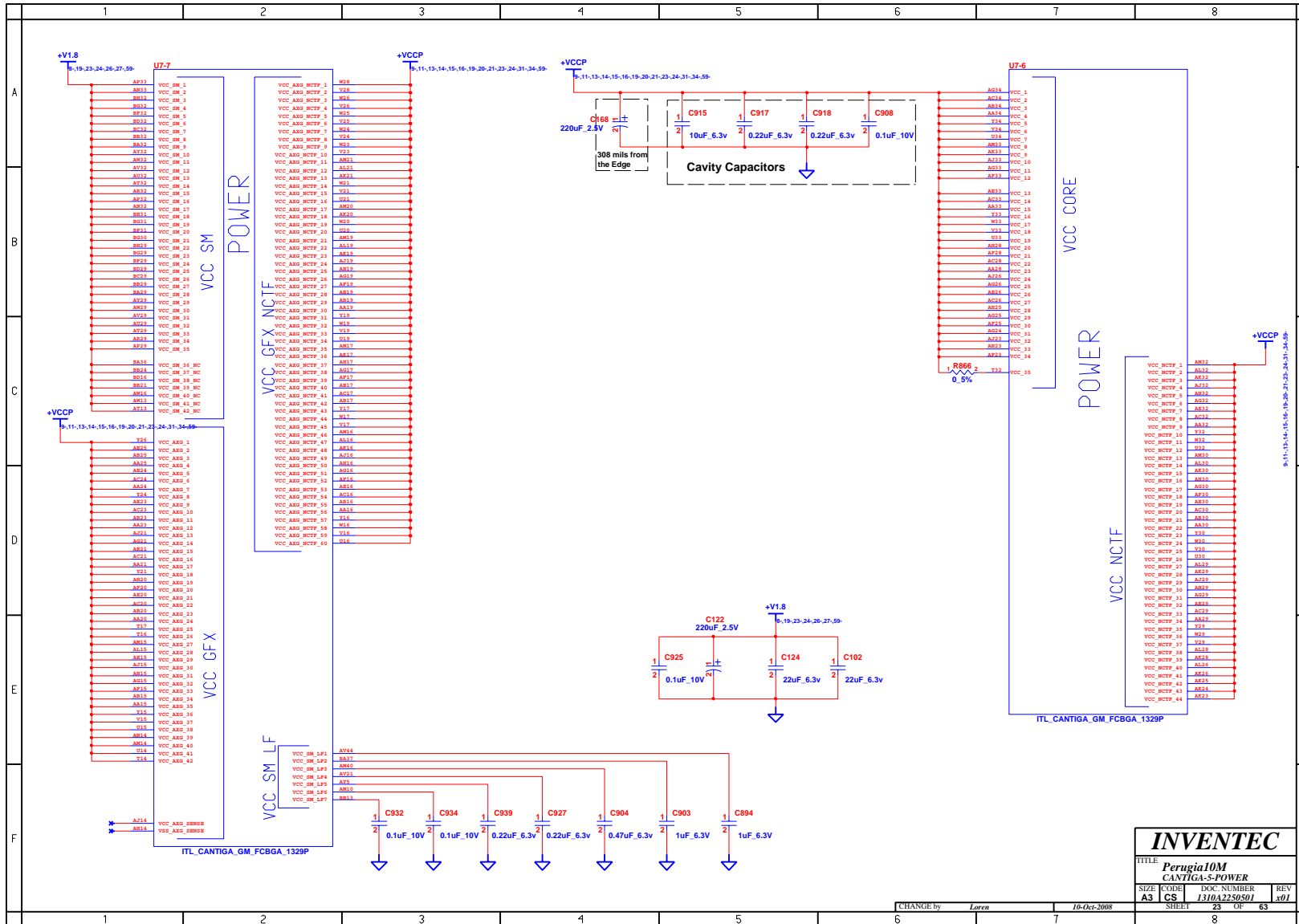


INVENTEC

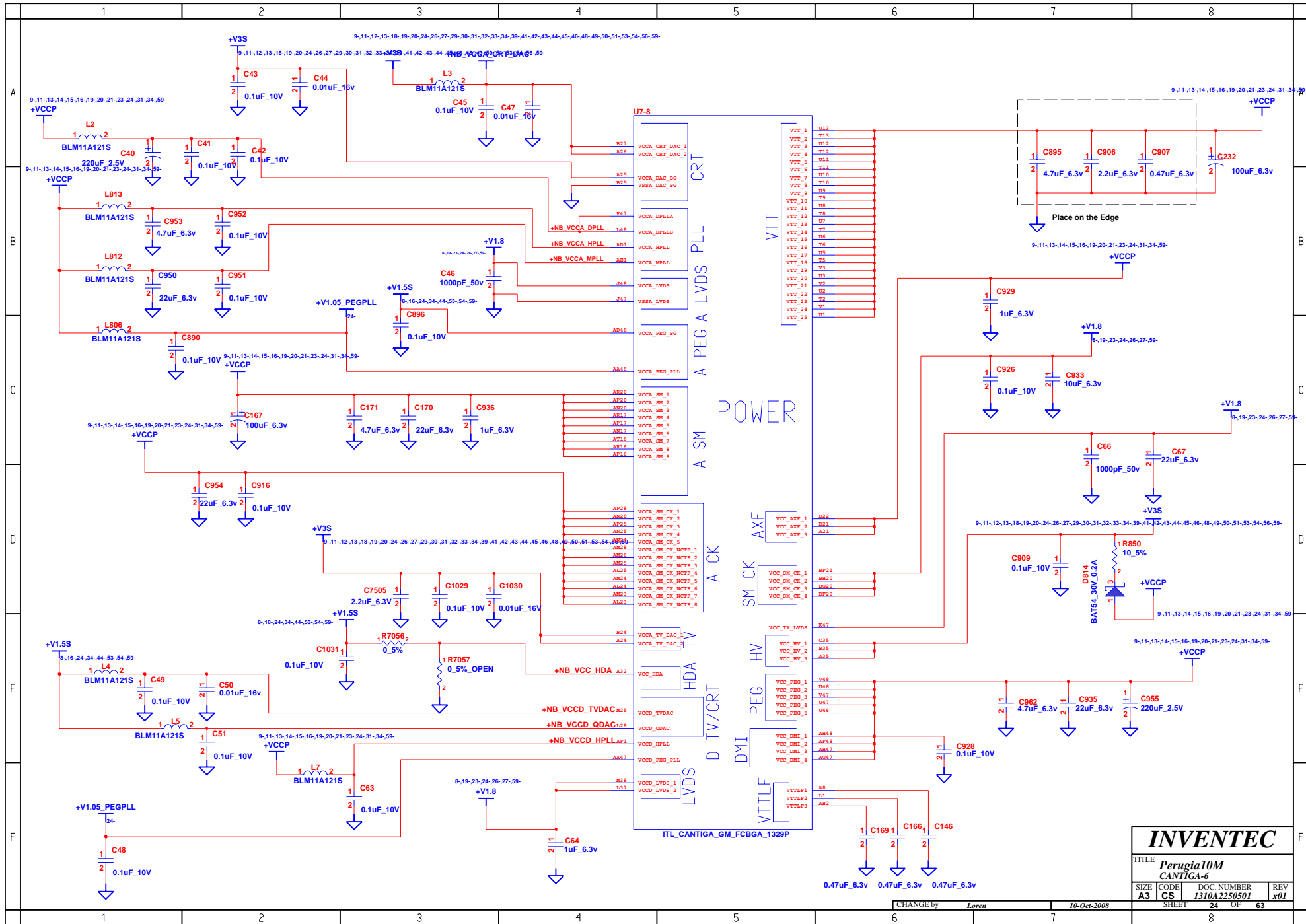
TITLE
Perugia10M
CANTIGA-4-DDR2

SIZE A3	CODE CS	DOC. NUMBER 1310A2250501	REV x01
------------	------------	-----------------------------	------------

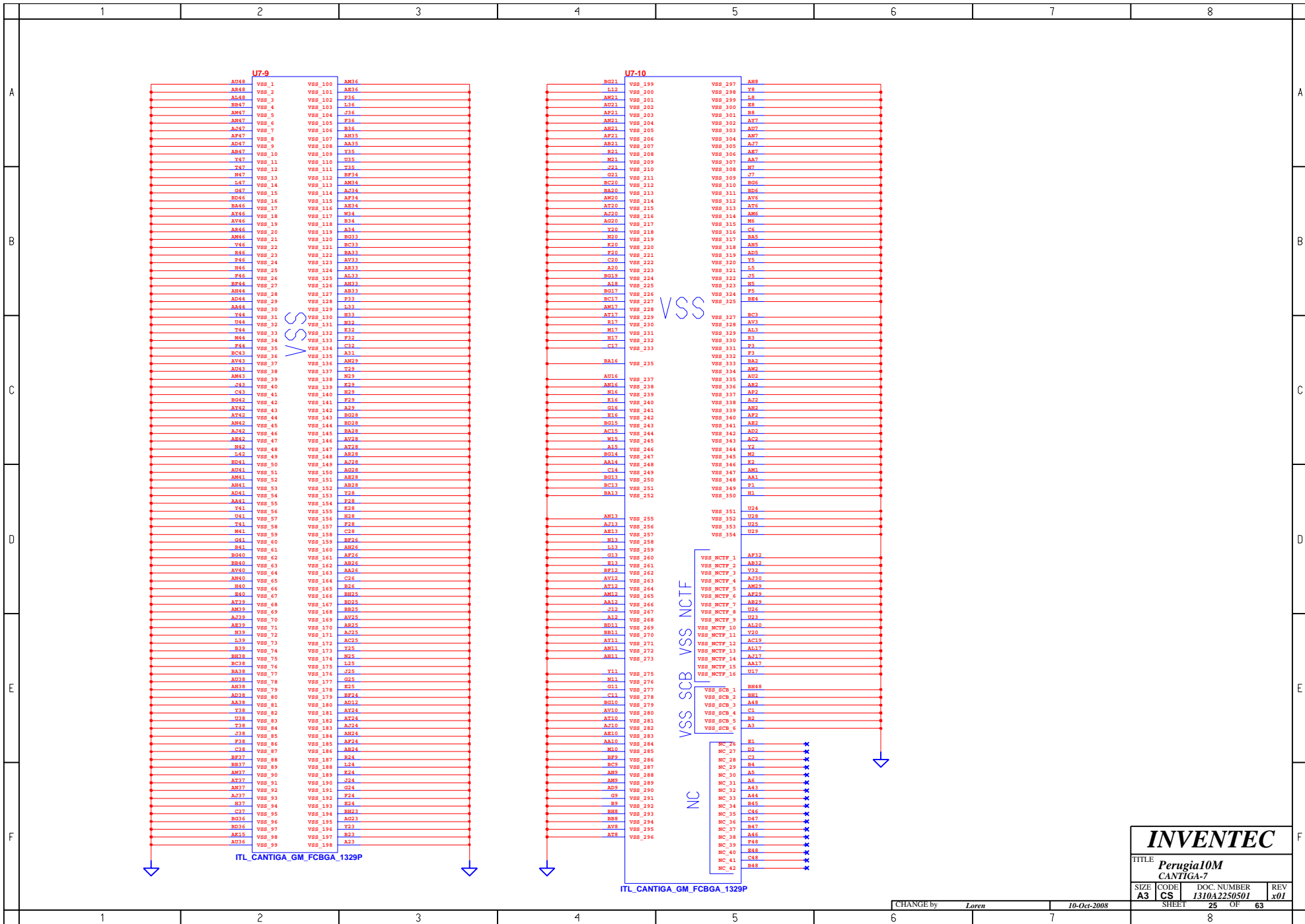
CHANGE by Loren 11-Oct-2008 SHEET 22 OF 63



INVENTEC			
TITLE Perugia10M CANTIGA-5-POWER			
SIZE	CODE	PKY NUMBER	REV
A3	CS	1310A2250501	.x01
CHANGE by		10-Oct-2008	
Loren		10-Oct-2008	
SHEET		23 OF 63	



INVENTEC			
TITLE Perugia10M CANTIGA-6			
SIZE A3	CODE CS	DOC. NUMBER 1310A2250501	REV x01
CHANGE by <i>Loren</i>		10-Oct-2008	
SHEET 24		OF 63	

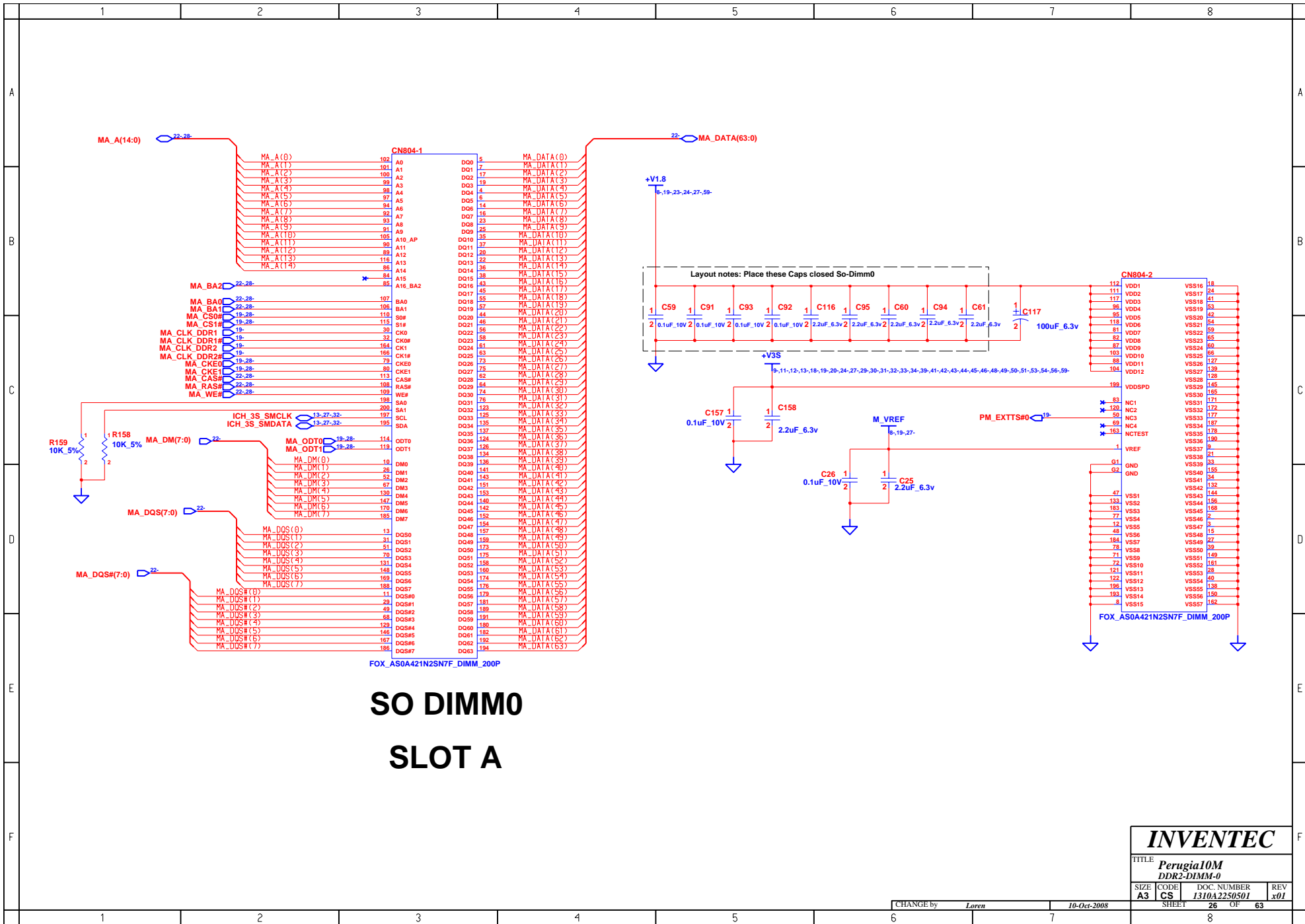


INVENTEC

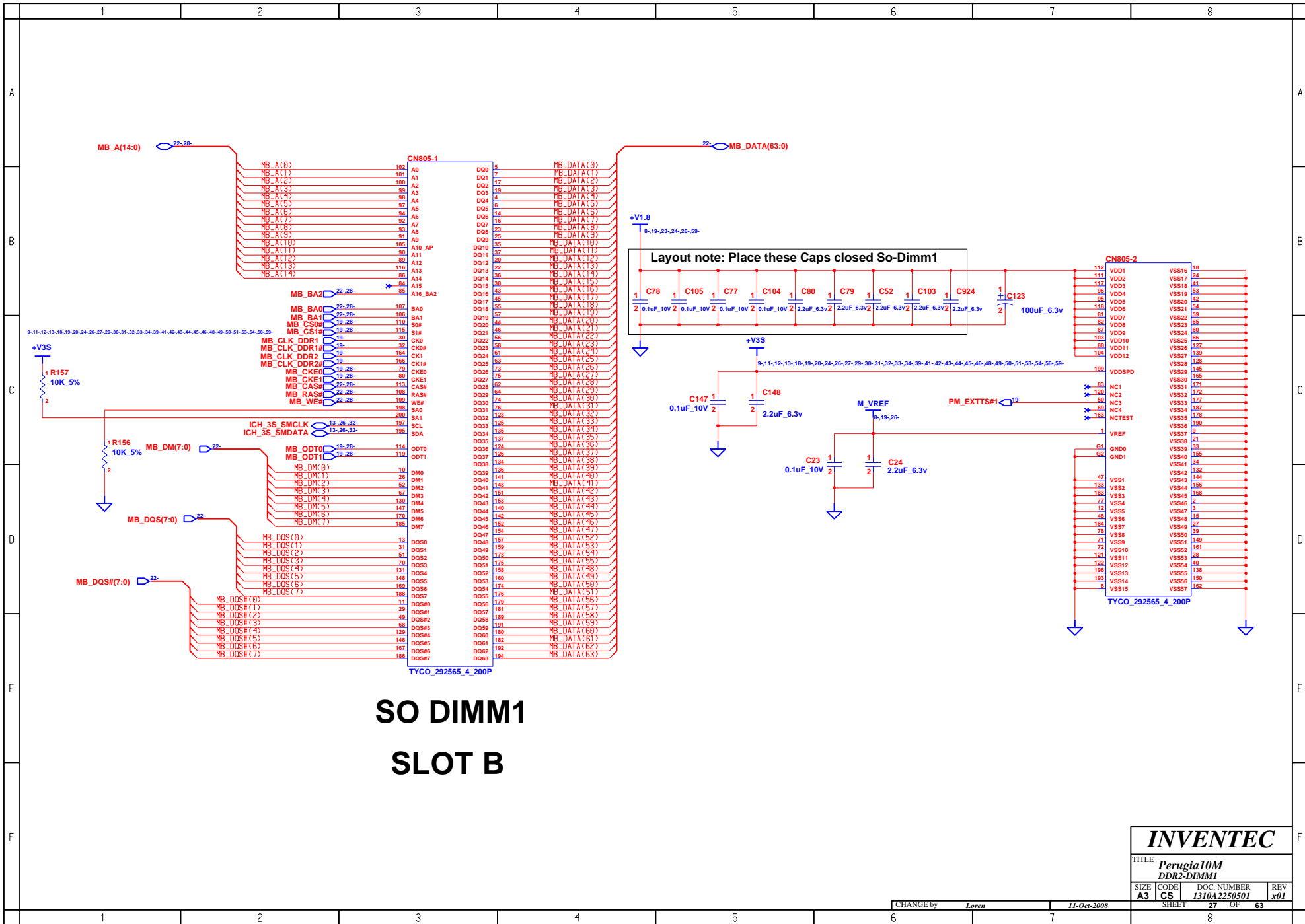
TITLE
Perugia10M
CANTIGA-7

SIZE	CODE	DOC. NUMBER	REV
A3	CS	1310A2250501	x01

SHEET 25 OF 63



INVENTEC			
TITLE Perugia10M DDR2-DIMM-0			
SIZE A3	CODE CS	DOC. NUMBER 1310A2250501	REV x01
CHANGE by <i>Loren</i>		10-Oct-2008	
SHEET 26		OF 63	



**SO DIMM1
SLOT B**

INVENTEC

TITLE
**Perugia10M
DDR2-DIMM1**

SIZE	CODE	DOC. NUMBER	REV
A3	CS	I310A2250501	x01

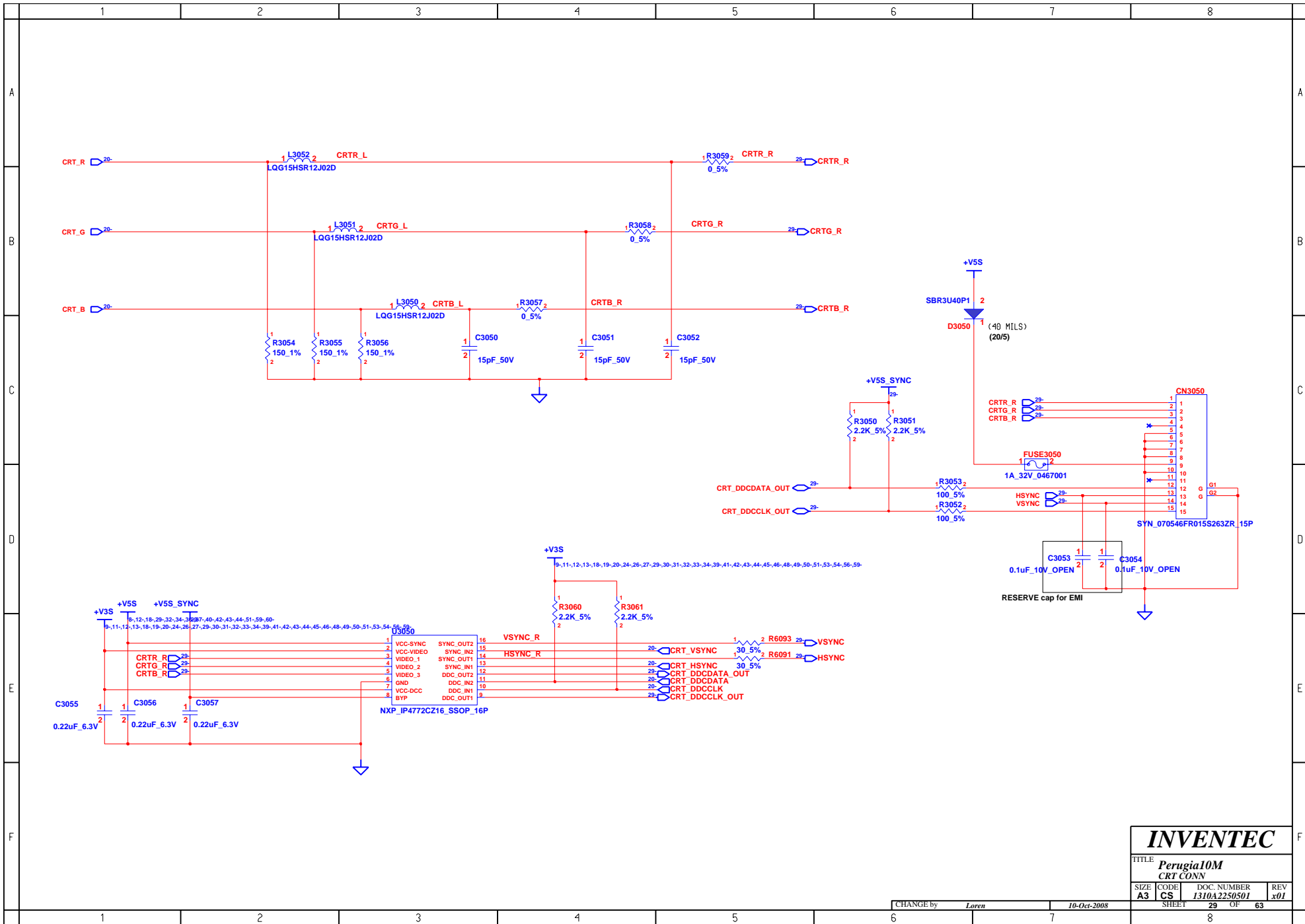
CHANGE by Loren 11-Oct-2008

SHEET 27 OF 63

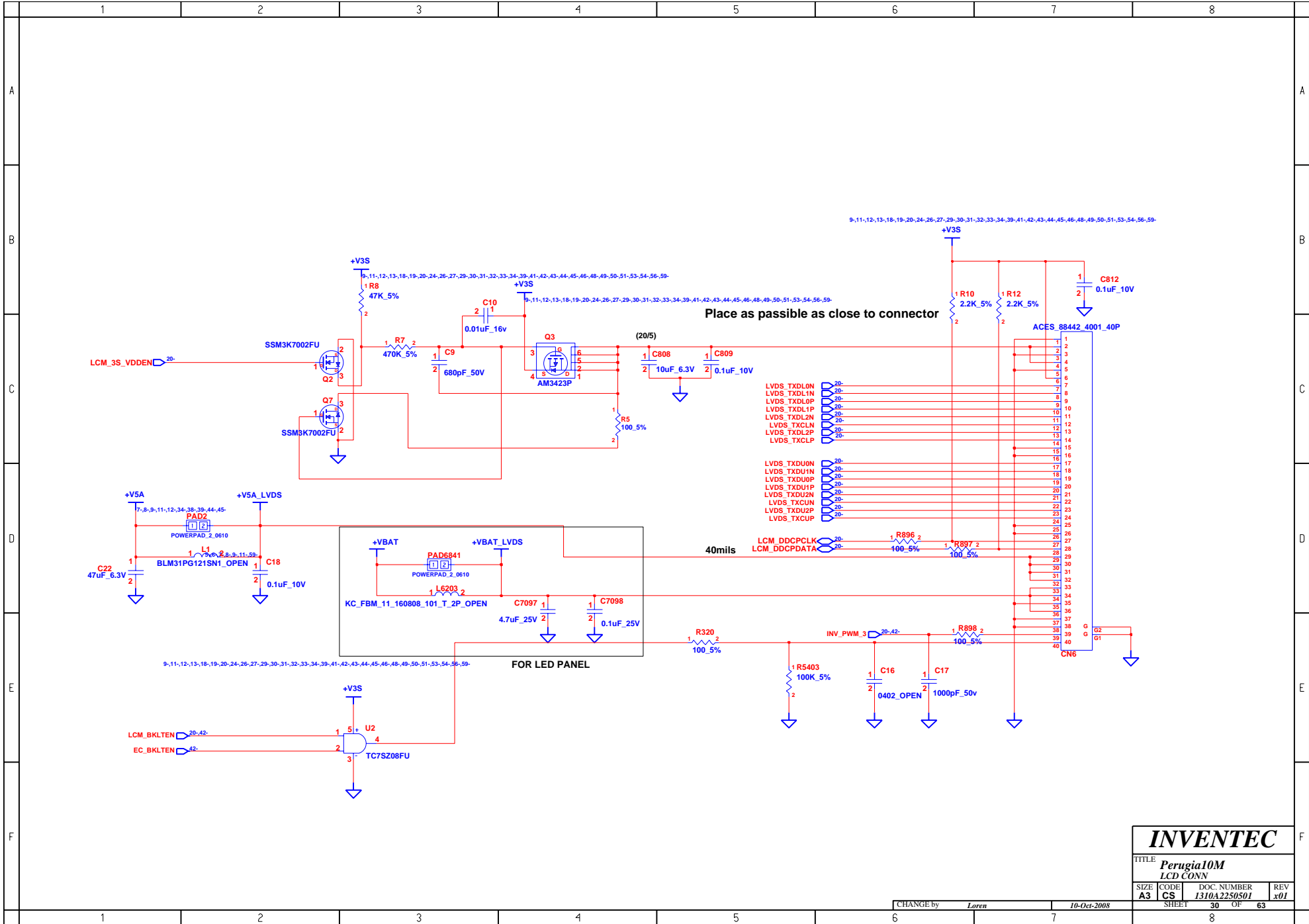


LAYOUT NOTES : PLACE ONE CAP CLOSE TO EVERY 2 PULL UP RESISTOR TERMINATED TO +V0.9S

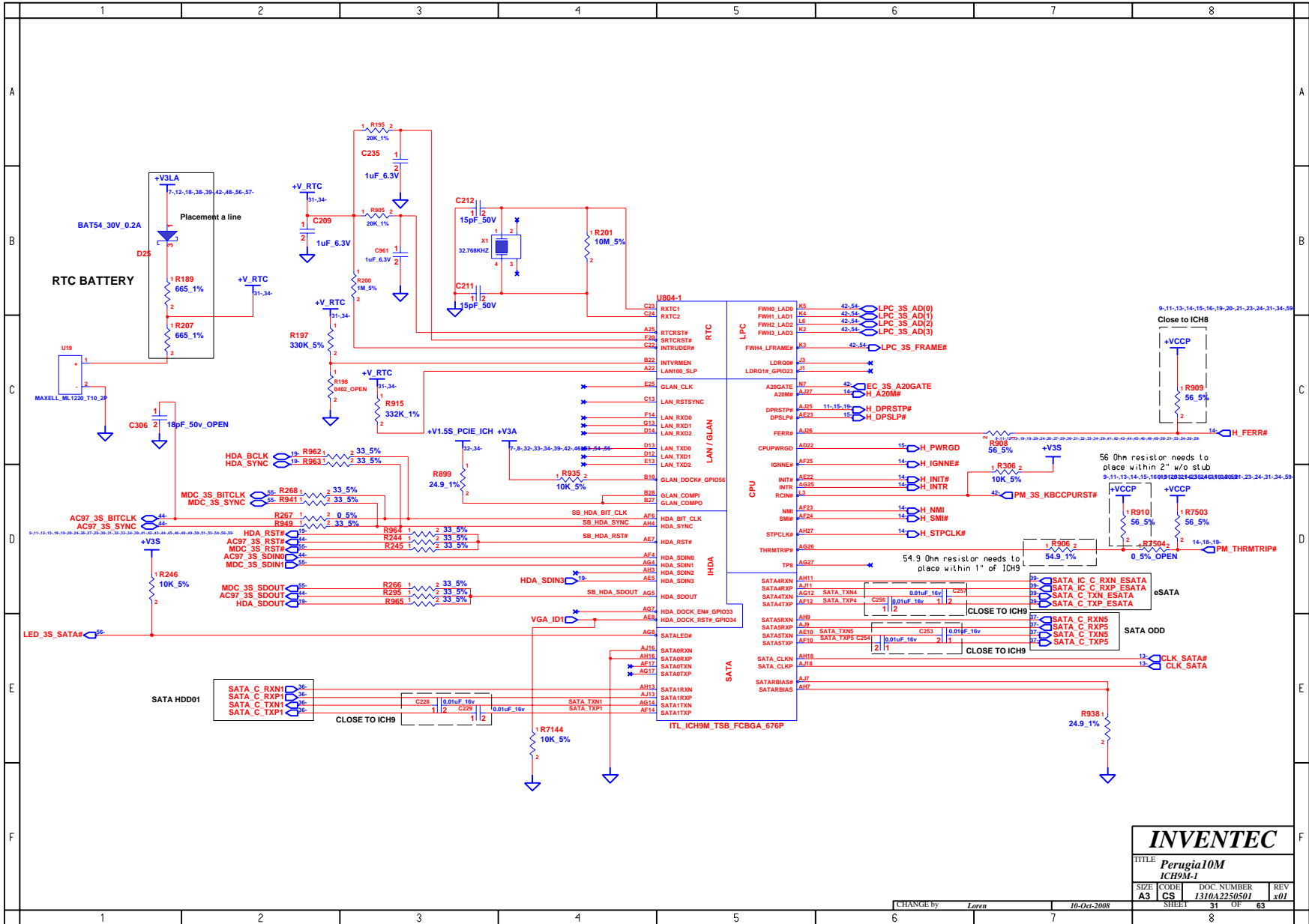
INVENTEC			
TITLE Perugia10M DDR2-DAMPING			
SIZE A3	CODE CS	DOC NUMBER I310A2250501	REV x01
CHANGE by <i>Loren</i>		27-Sep-2003	
SHEET		28 OF 63	

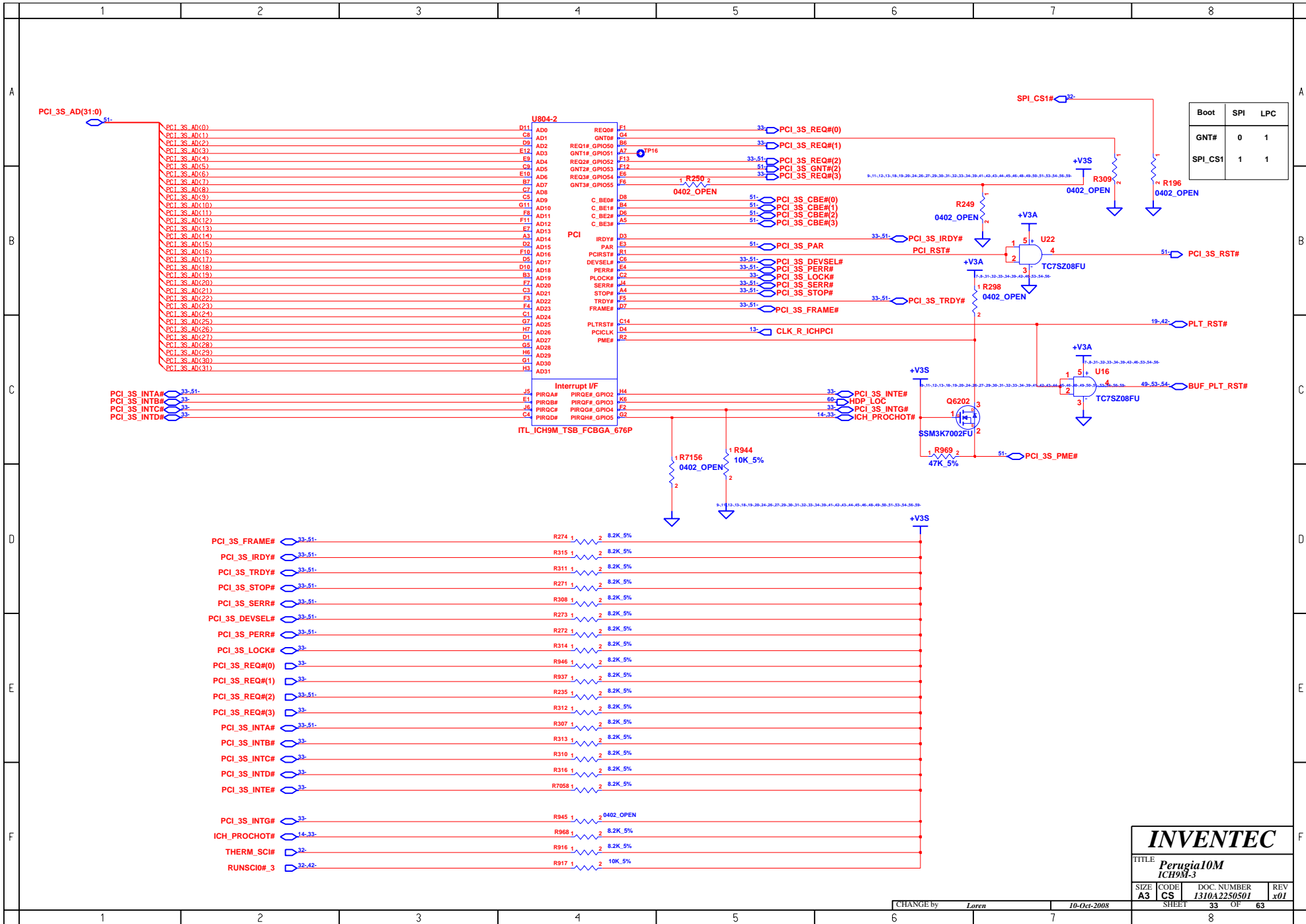


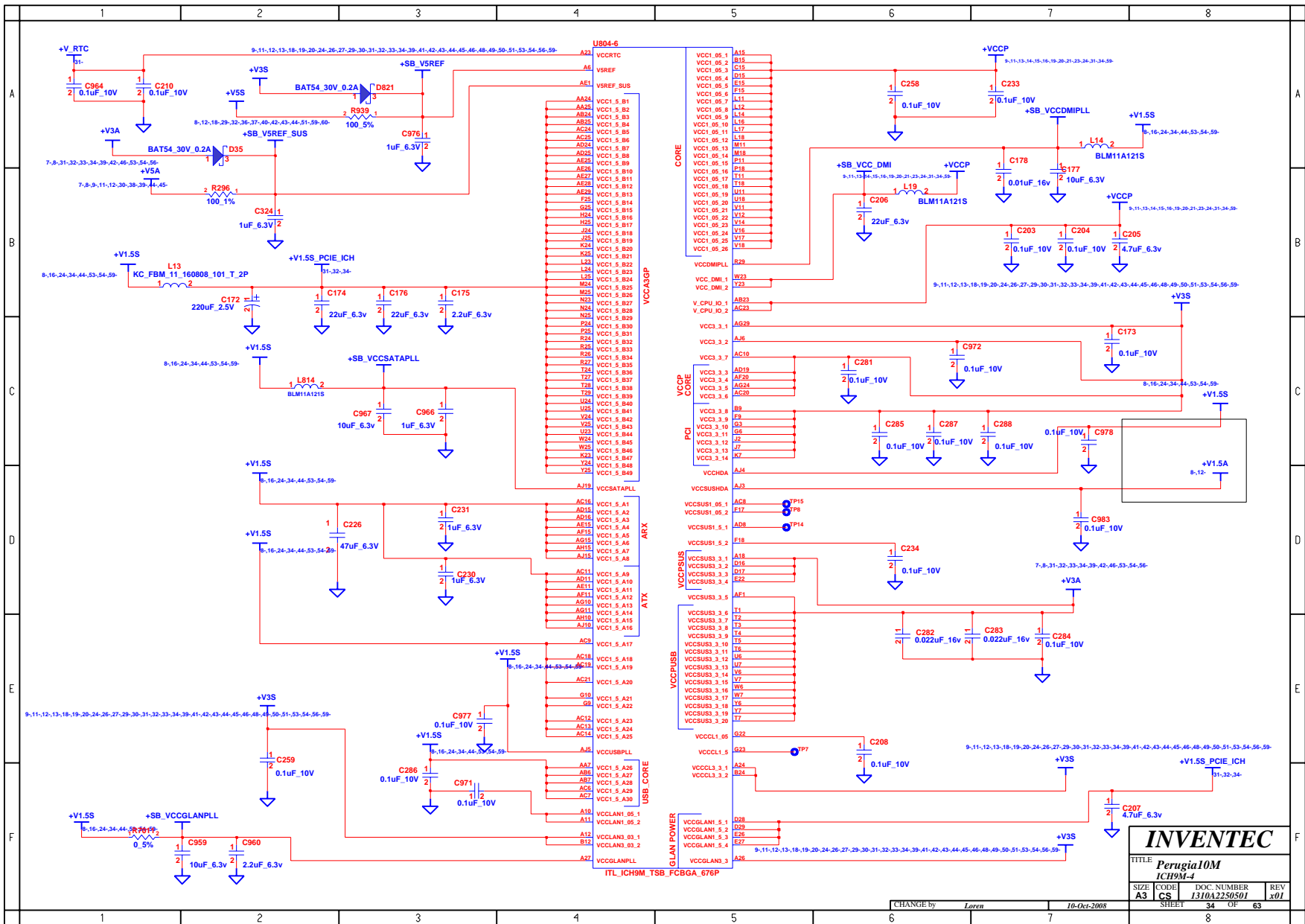
INVENTEC			
TITLE Perugia10M CRT CONN			
SIZE A3	CODE CS	DOC. NUMBER I310A2250501	REV x01
CHANGE by <i>Loren</i>		10-Oct-2008	
SHEET 29		OF 63	



INVENTEC			
TITLE Perugia10M LCD CONN			
SIZE A3	CODE CS	DOC. NUMBER 1310A2250501	REV x01
CHANGE by Loren 10-Oct-2008		SHEET 30 OF 63	







INVENTEC			
TITLE Perugia10M ICH9M-4			
SIZE A3	CODE CS	DOC NUMBER 1310A2250501	REV x01
CHANGE by Loren		10-Oct-2008	
SHEET 34		OF 63	

CHANGE by Loren 10-Oct-2008 SHEET 34 OF 63

	1	2	3	4	5	6	7	8	
A									A
B									B
C									C
D									D
E									E
F									F

U804-5

AA26	VSS001	VSS107	H5
AA27	VSS002	VSS108	J23
AA3	VSS003	VSS109	J26
AA4	VSS004	VSS110	J27
AB1	VSS005	VSS111	AC22
AA23	VSS006	VSS112	K28
AB26	VSS007	VSS113	K29
AB29	VSS008	VSS114	L13
AB4	VSS009	VSS115	L15
AB5	VSS010	VSS116	L2
AC17	VSS011	VSS117	L26
AC26	VSS012	VSS118	L27
AC27	VSS013	VSS119	L5
AC3	VSS014	VSS120	L7
AD1	VSS015	VSS121	M12
AD10	VSS016	VSS122	M13
AD12	VSS017	VSS123	M14
AD13	VSS018	VSS124	M15
AD14	VSS019	VSS125	M16
AD17	VSS020	VSS126	M17
AD18	VSS021	VSS127	M23
AD21	VSS022	VSS128	M28
AD25	VSS023	VSS129	M29
AD29	VSS024	VSS130	N11
AD4	VSS025	VSS131	N12
AD6	VSS026	VSS132	N13
AD6	VSS027	VSS133	N14
AD7	VSS028	VSS134	N15
AD9	VSS029	VSS135	N16
AE13	VSS030	VSS136	N17
AE13	VSS031	VSS137	N18
AE14	VSS032	VSS138	N26
AE16	VSS033	VSS139	N27
AE17	VSS034	VSS140	P12
AE1	VSS035	VSS141	P13
AE20	VSS036	VSS142	P14
AE24	VSS037	VSS143	P15
AE3	VSS038	VSS144	P16
AE4	VSS039	VSS145	P17
AE6	VSS040	VSS146	P2
AE9	VSS041	VSS147	P23
AF13	VSS042	VSS148	P28
AF16	VSS043	VSS149	P29
AF18	VSS044	VSS150	P4
AF22	VSS045	VSS151	P7
AF26	VSS046	VSS152	R11
AF28	VSS047	VSS153	R12
AF27	VSS048	VSS154	R13
AF3	VSS049	VSS155	R14
AF7	VSS050	VSS156	R15
AF9	VSS051	VSS157	R16
AG13	VSS052	VSS158	R17
AG16	VSS053	VSS159	R18
AG18	VSS054	VSS160	R28
AG20	VSS055	VSS161	T12
AG23	VSS056	VSS162	T13
AG3	VSS057	VSS163	T14
AG5	VSS058	VSS164	T15
AG9	VSS059	VSS165	T16
AH12	VSS060	VSS166	T17
AH14	VSS061	VSS167	T23
AH17	VSS062	VSS168	B26
AH19	VSS063	VSS169	U12
AH2	VSS064	VSS170	U13
AH22	VSS065	VSS171	U14
AH26	VSS066	VSS172	U15
AH28	VSS067	VSS173	U16
AH5	VSS068	VSS174	U17
AH6	VSS069	VSS175	AD23
AJ12	VSS070	VSS176	U26
AJ14	VSS071	VSS177	U27
AJ17	VSS072	VSS178	U3
AJ8	VSS073	VSS179	V1
B11	VSS074	VSS180	V13
B14	VSS075	VSS181	V15
B17	VSS076	VSS182	V23
B1	VSS077	VSS183	V28
B20	VSS078	VSS184	V29
B23	VSS079	VSS185	V4
B5	VSS080	VSS186	V5
BS	VSS081	VSS187	W26
C28	VSS082	VSS188	W27
C27	VSS083	VSS189	W3
E11	VSS084	VSS190	Y1
E14	VSS085	VSS191	Y28
E18	VSS086	VSS192	Y29
ER	VSS087	VSS193	Y4
E21	VSS088	VSS194	Y5
E24	VSS089	VSS195	AG28
E5	VSS090	VSS196	AH6
ER	VSS091	VSS197	AF2
F16	VSS092	VSS198	B28
F29	VSS093		
F29	VSS094	VSS_NCTF1	A1
G12	VSS095	VSS_NCTF2	A2
G14	VSS096	VSS_NCTF3	A28
G19	VSS097	VSS_NCTF4	A29
G21	VSS098	VSS_NCTF5	AH1
G24	VSS099	VSS_NCTF6	AH29
G25	VSS100	VSS_NCTF7	AJ1
G27	VSS101	VSS_NCTF8	AJ2
GB	VSS102	VSS_NCTF9	AJ28
H5	VSS103	VSS_NCTF10	AJ29
H28	VSS104	VSS_NCTF11	B1
H28	VSS105	VSS_NCTF12	B29
H29	VSS106		

ITL_ICH9M_TSB_FCBGA_676P

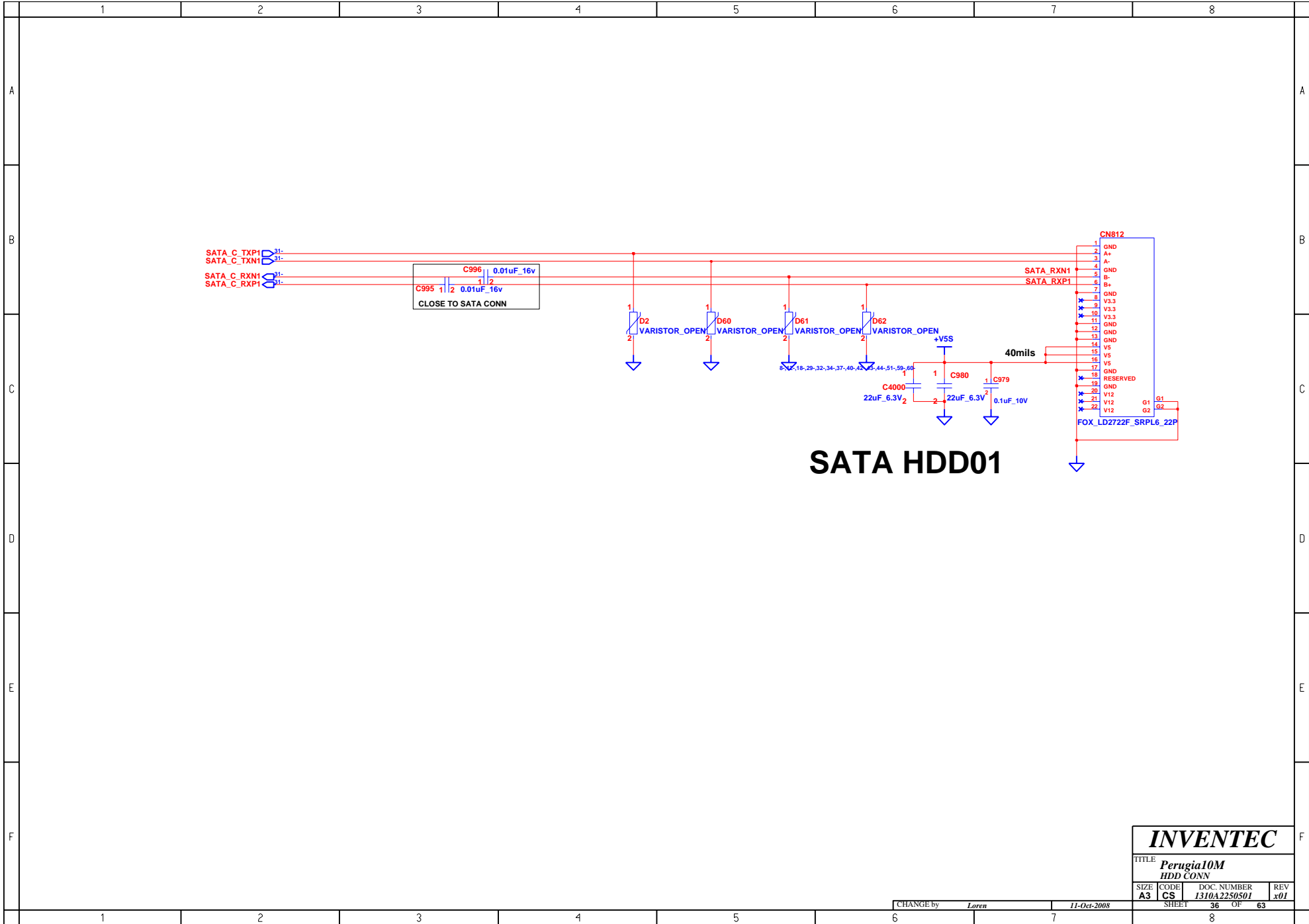
INVENTEC

TITLE
Perugia10M
ICH9M-5

SIZE A3	CODE CS	DOC. NUMBER 1310A2250501	REV x01
SHEET 35		OF 63	

CHANGE by Loren 10-Oct-2008

	1	2	3	4	5	6	7	8	
--	---	---	---	---	---	---	---	---	--



SATA HDD01

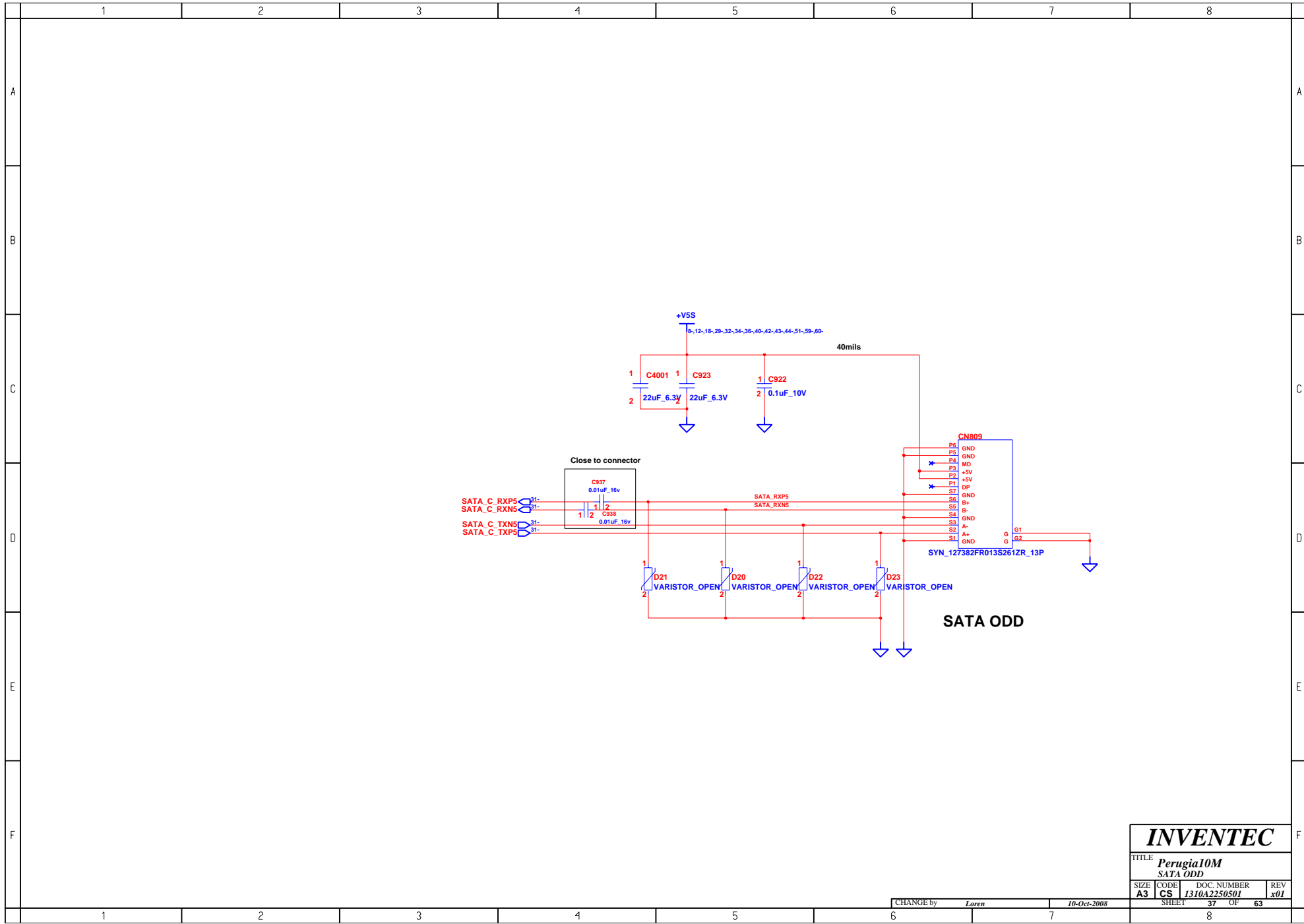
INVENTEC

TITLE **Perugia10M
HDD CONN**

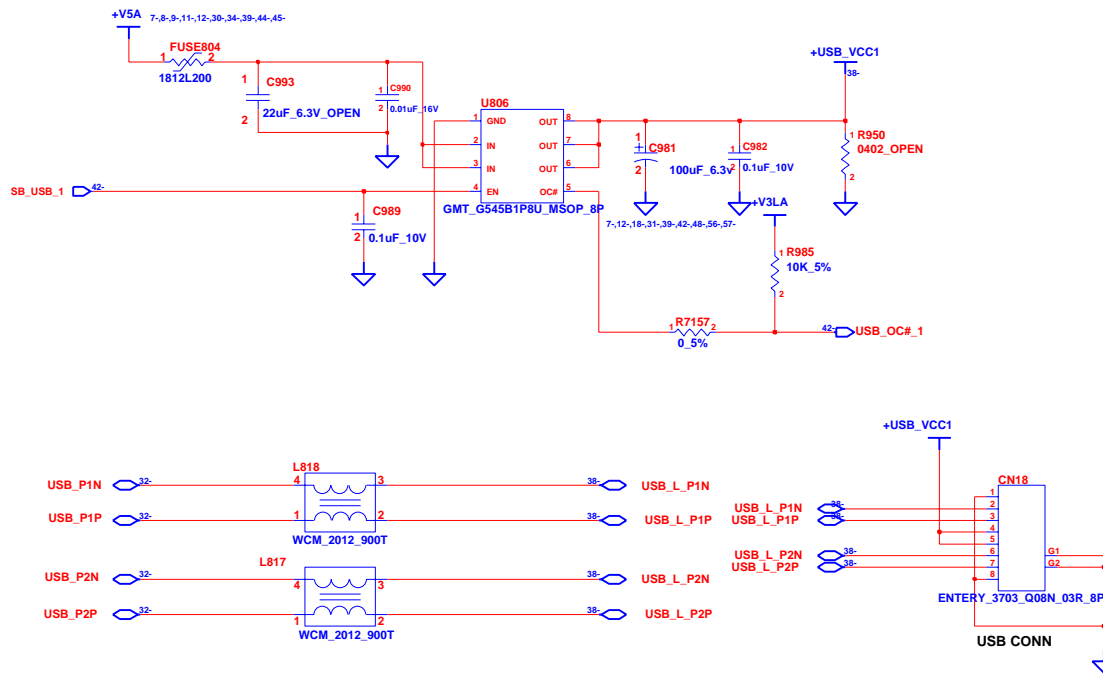
SIZE **A3** CODE **CS** DOC. NUMBER **1310A2250501** REV **x01**

CHANGE by **Loren** 11-Oct-2008

SHEET **36** OF **63**



INVENTEC			
TITLE			
<i>Perugia10M</i> SATA ODD			
SIZE	CODE	DOC. NUMBER	REV
A3	CS	1310A2250501	x01
CHANGE by		10-Oct-2008	
Loren		37 OF 63	
SHEET		SHEET	

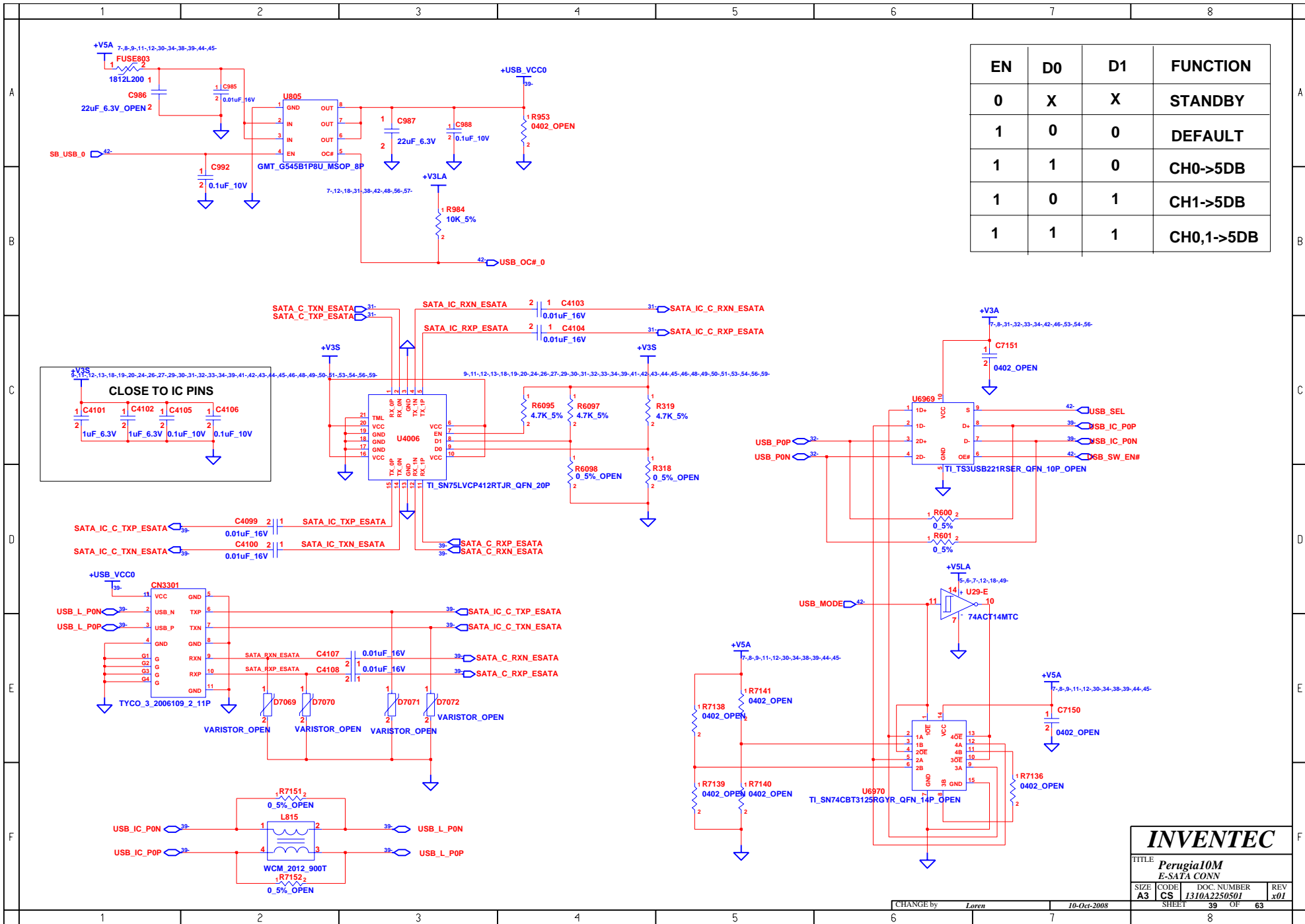


INVENTEC

TITLE			
Perugia10M			
USB CONN/USB(DB)			
SIZE	CODE	DOC. NUMBER	REV
A3	CS	1310A2250501	x01

CHANGE by Loren 10-Oct-2008

SHEET 38 OF 63



EN	D0	D1	D2	FUNCTION
0	X	X		STANDBY
1	0	0		DEFAULT
1	1	0		CH0->5DB
1	0	1		CH1->5DB
1	1	1		CH0,1->5DB

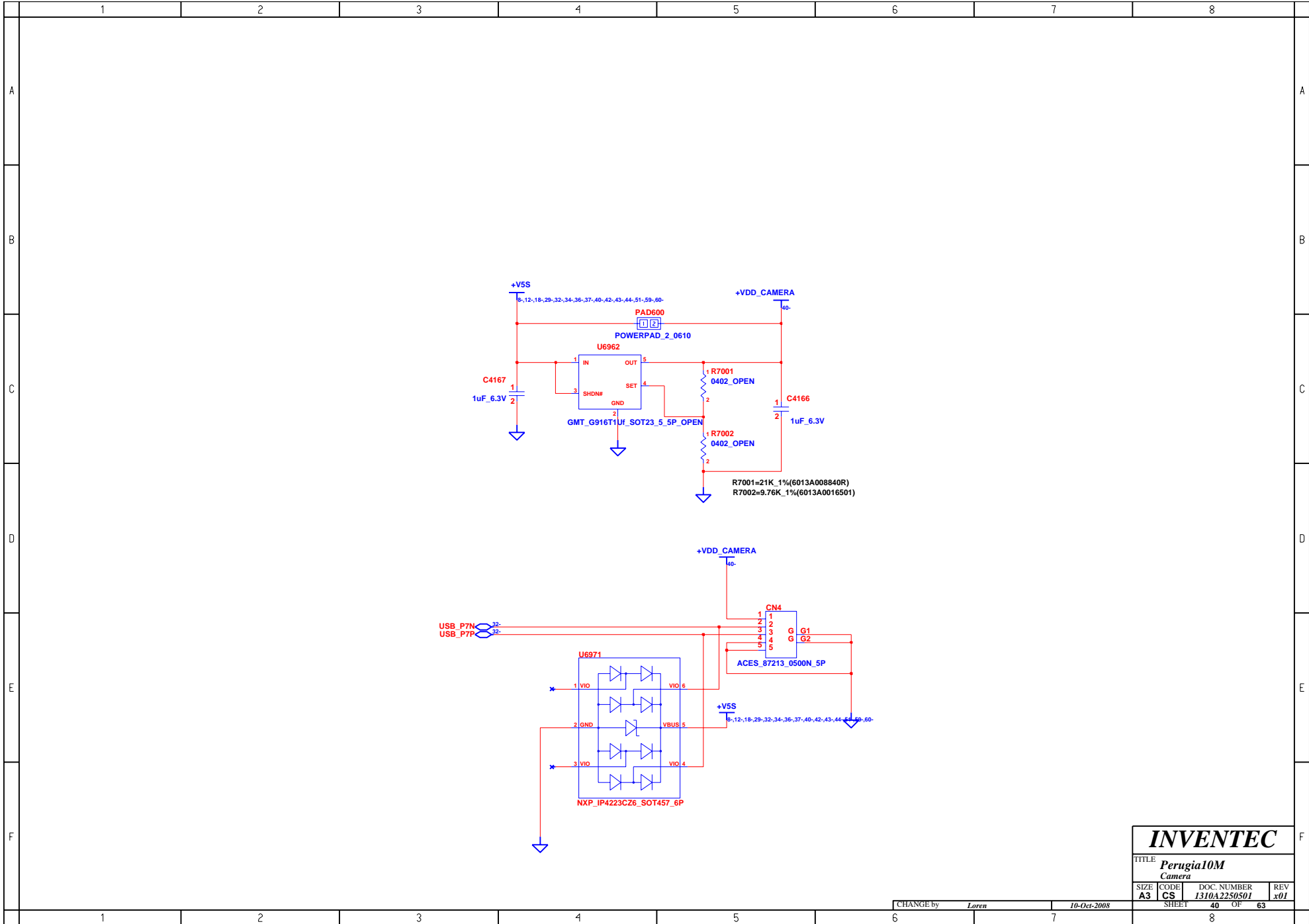
INVENTEC

TITLE
Perugia10M
E-SATA CONN

SIZE A3	CODE CS	DOC NUMBER 1310A2250501	REV x01
------------	------------	----------------------------	------------

CHANGE by Loren 10-Oct-2008

SHEET 39 OF 63



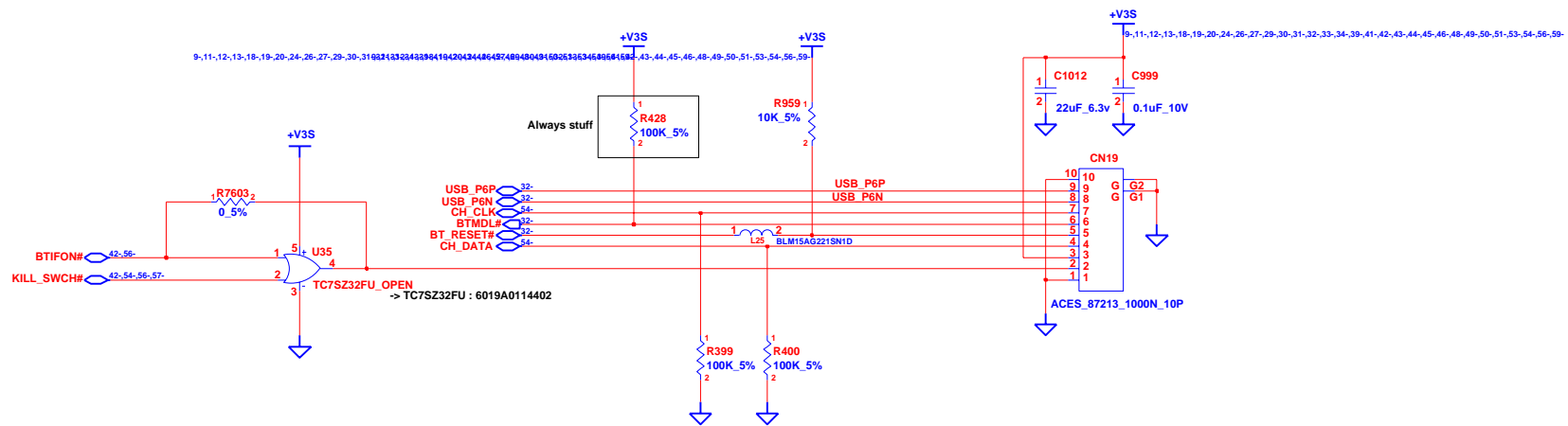
INVENTEC

TITLE
Perugia10M
 Camera

SIZE A3	CODE CS	DOC. NUMBER 1310A2250501	REV x01
-------------------	-------------------	------------------------------------	-------------------

CHANGE by *Loren* 10-Oct-2008

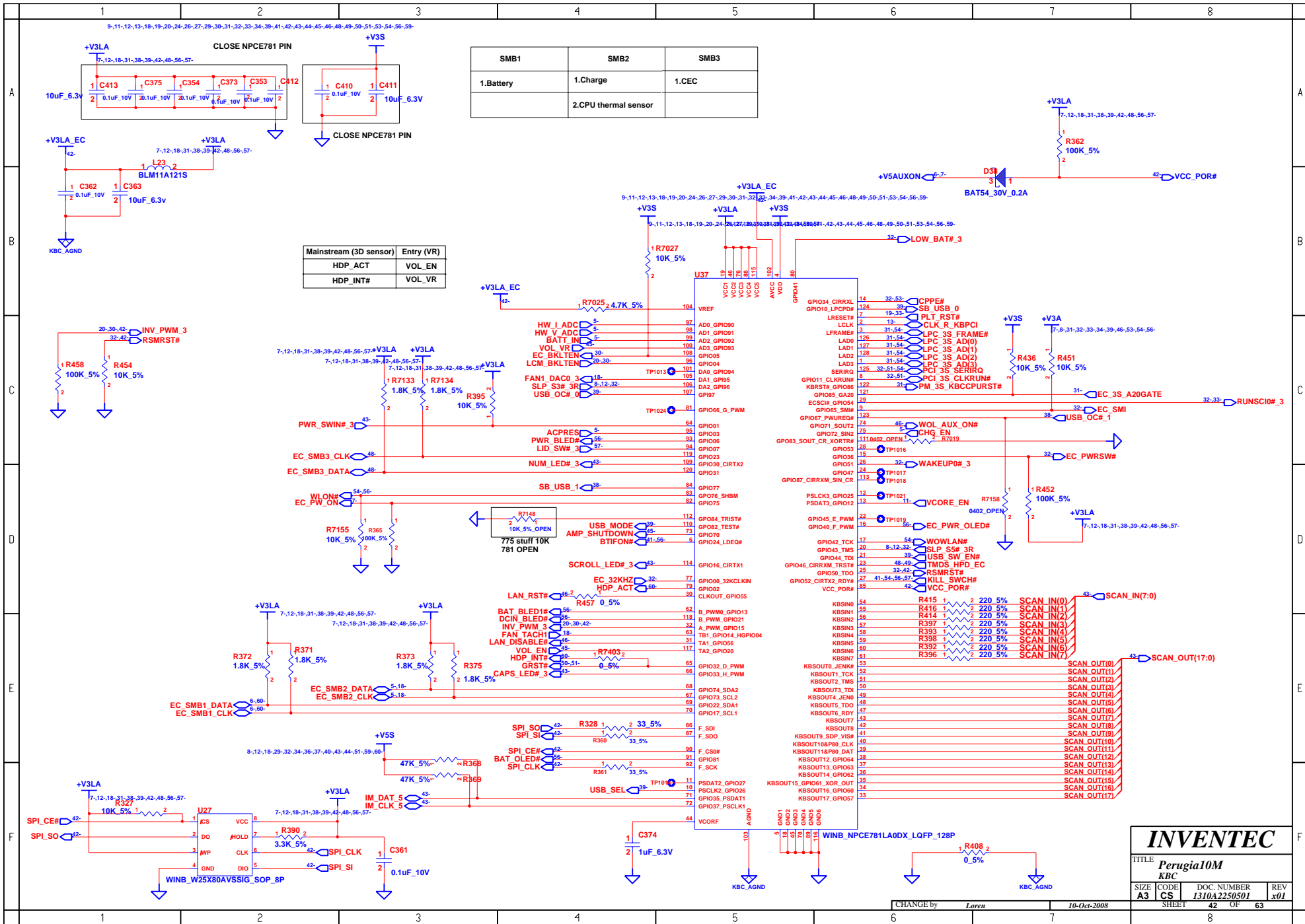
SHEET 40 OF 63



INVENTEC

TITLE			
Perugia10M			
Bluetooth			
SIZE	CODE	DOC. NUMBER	REV
A3	CS	1310A2250501	x01
SHEET		41	OF 63

CHANGE by Loren 10-Oct-2008



SMB1	SMB2	SMB3
1.Battery	1.Charge	1.CEC
	2.CPU thermal sensor	

Mainstream (3D sensor)	Entry (VR)
HDP_ACT	VOL_EN
HDP_INT#	VOL_VR

INVENTEC

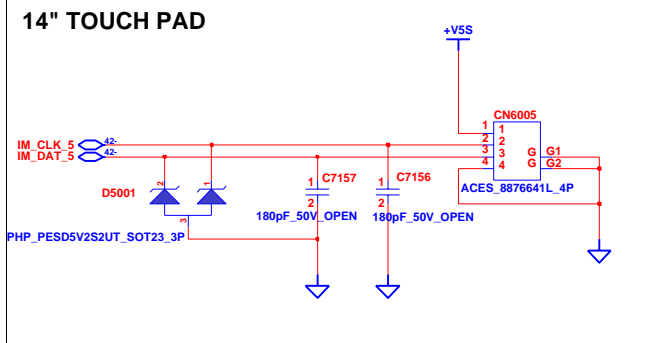
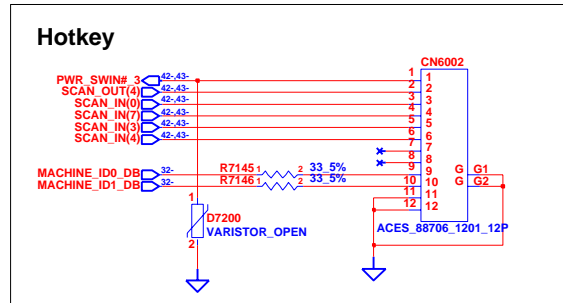
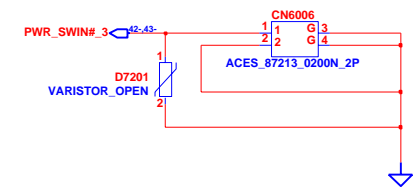
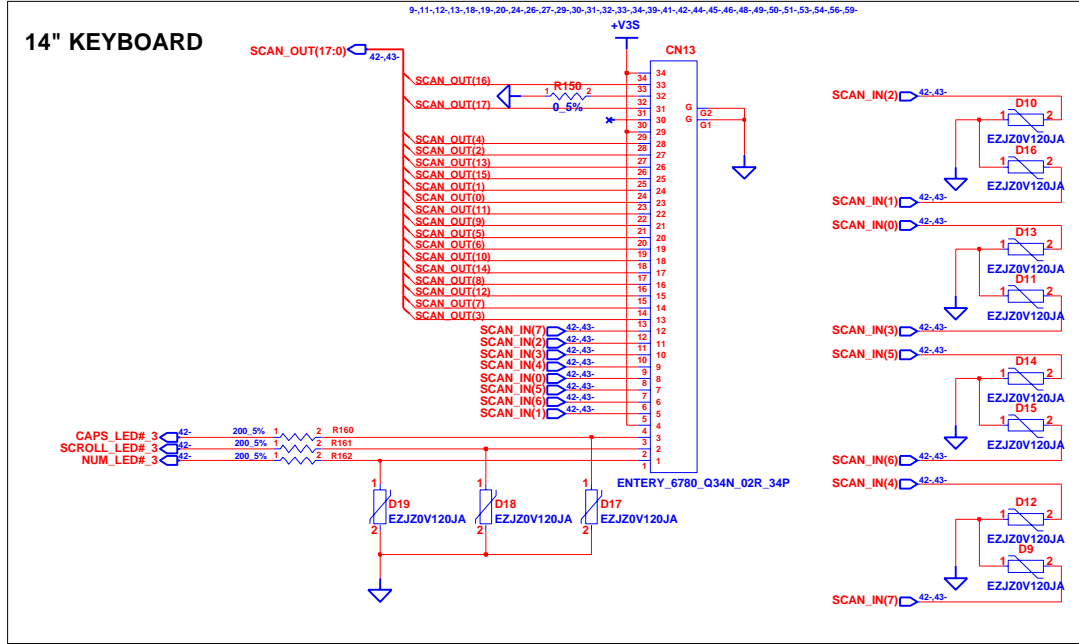
TITLE
Perugia10M
KBC

SIZE A3	CODE CS	DOC. NUMBER 1310A2250501	REV x01
------------	------------	-----------------------------	------------

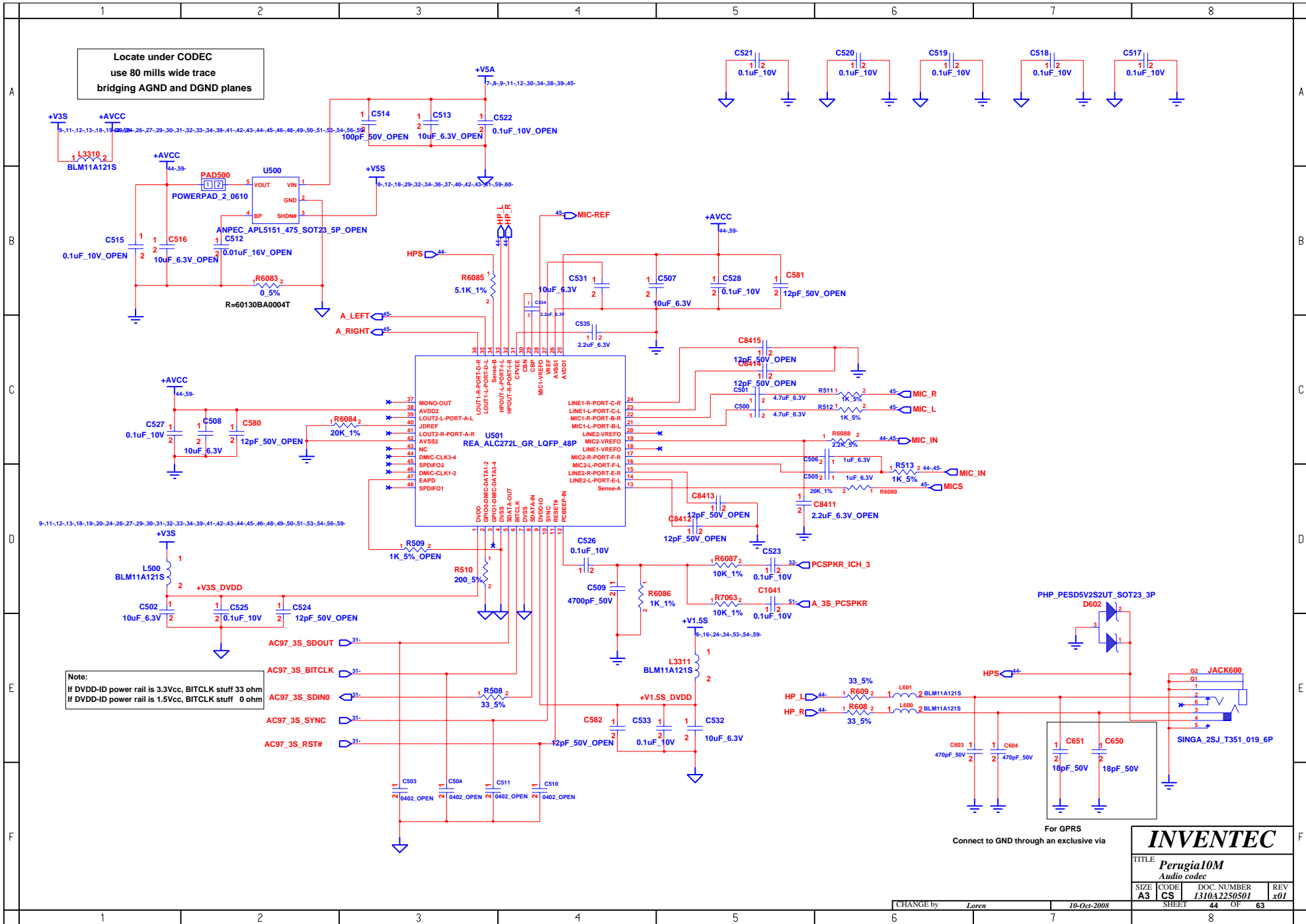
SHEET 42 OF 63

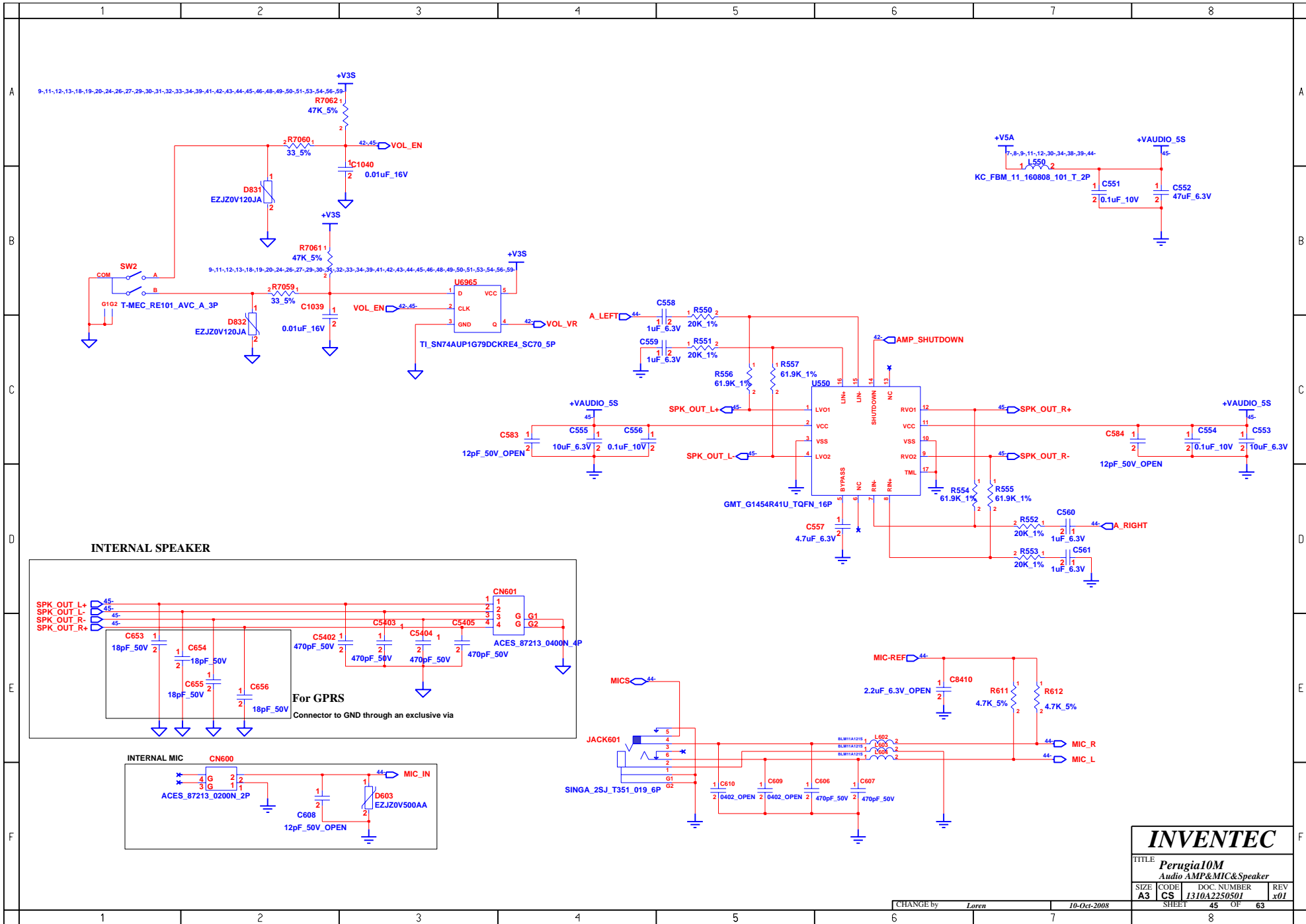
CHANGE by Loren 10-Oct-2008

14" KEYBOARD

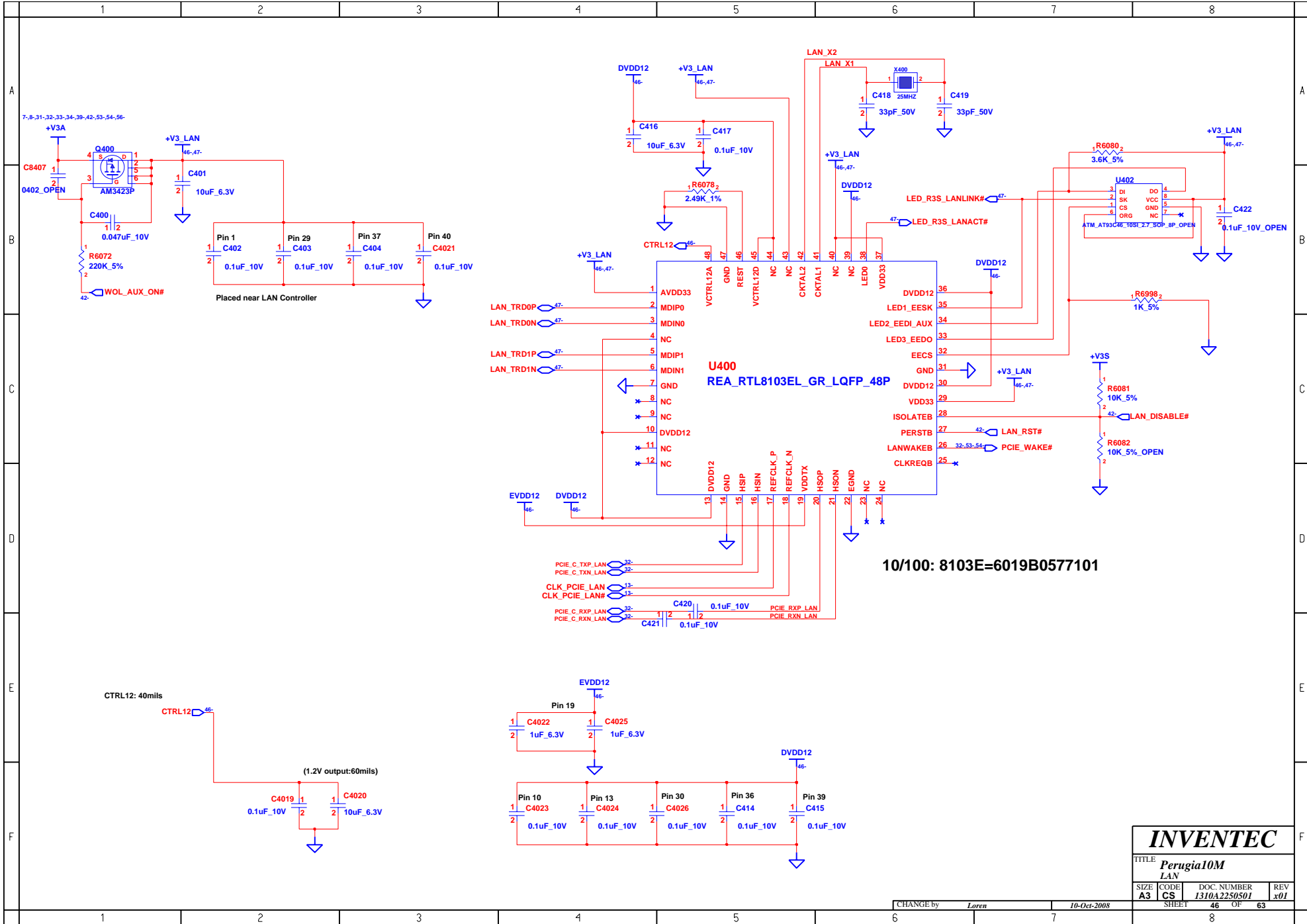


INVENTEC			
TITLE <i>Perugia10M</i> K/B & TP/B CONN			
SIZE	CODE	DOC. NUMBER	REV
A3	CS	1310A2250501	x01
CHANGE by <i>Loren</i>		10-Oct-2008	SHEET 43 OF 63

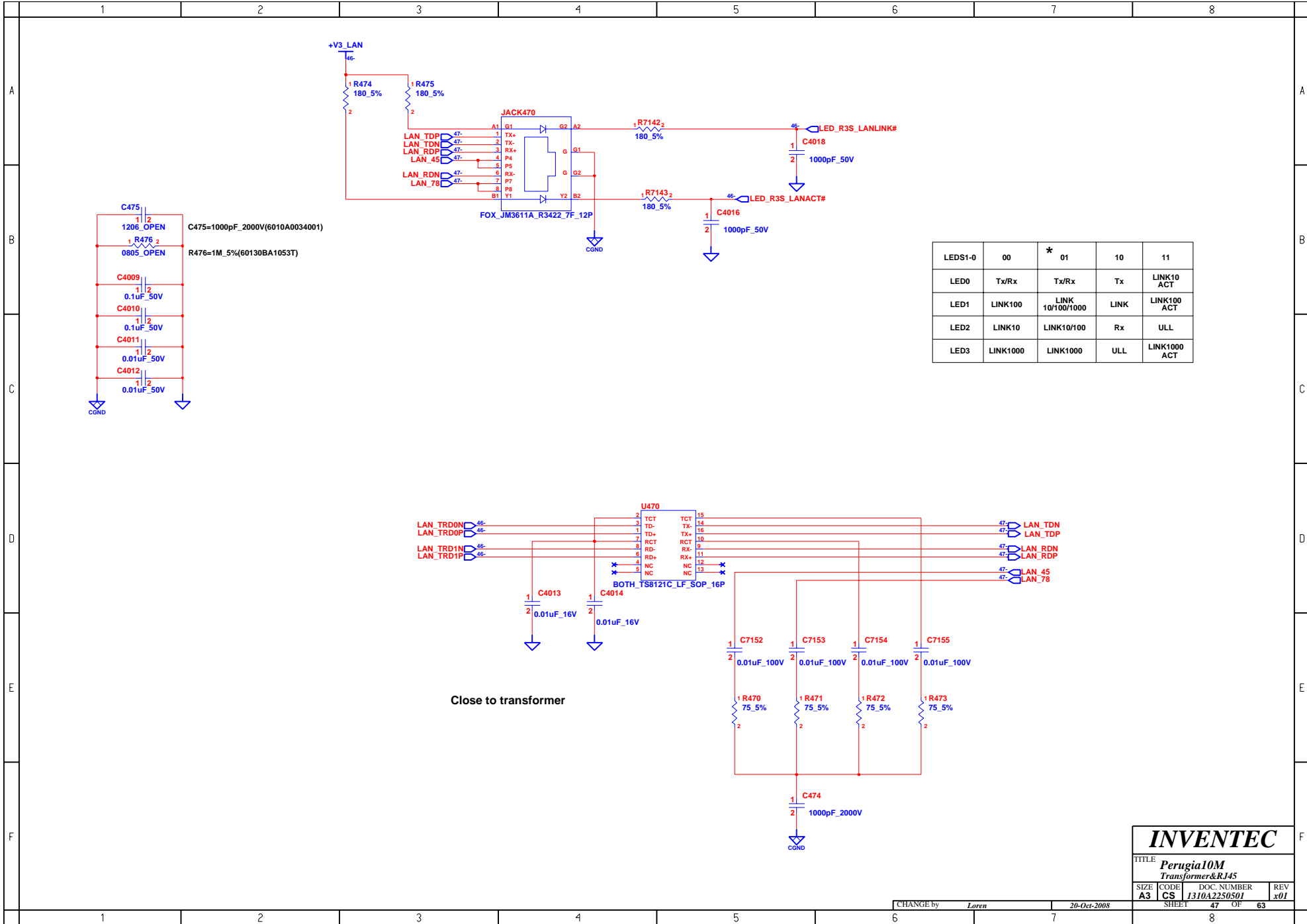




CHANGE by Loren 10-Oct-2008



INVENTEC			
TITLE Perugia10M			
LAN			
SIZE	CODE	DOC. NUMBER	REV
A3	CS	1310A2250501	x01
CHANGE by		10-Oct-2008	
SHEET		46 OF 63	



LEDS1-0	00	* 01	10	11
LED0	Tx/Rx	Tx/Rx	Tx	LINK10 ACT
LED1	LINK100	LINK 10/100/1000	LINK	LINK100 ACT
LED2	LINK10	LINK10/100	Rx	ULL
LED3	LINK1000	LINK1000	ULL	LINK1000 ACT

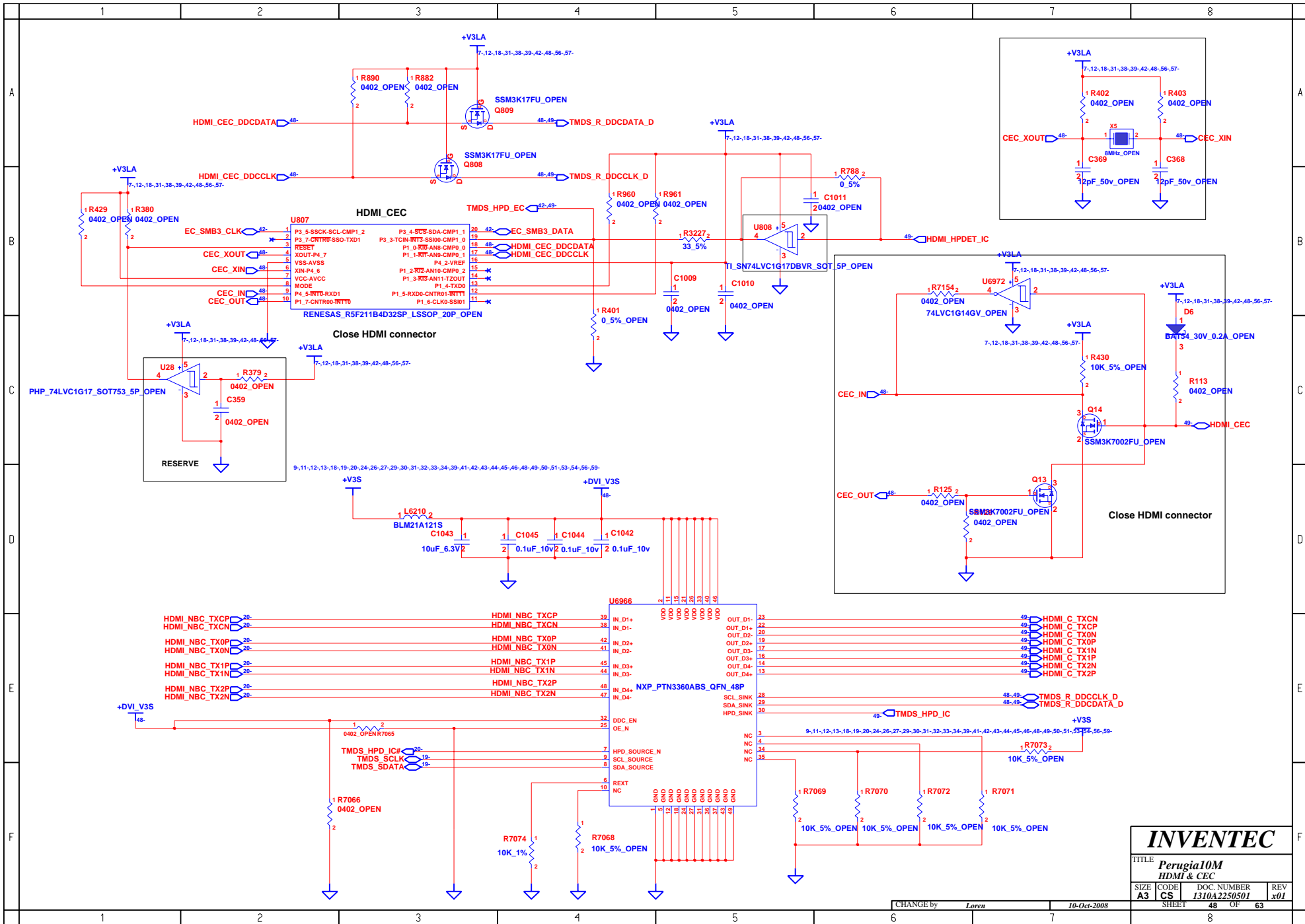
INVENTEC

TITLE
Perugia10M
 Transformer&RJ45

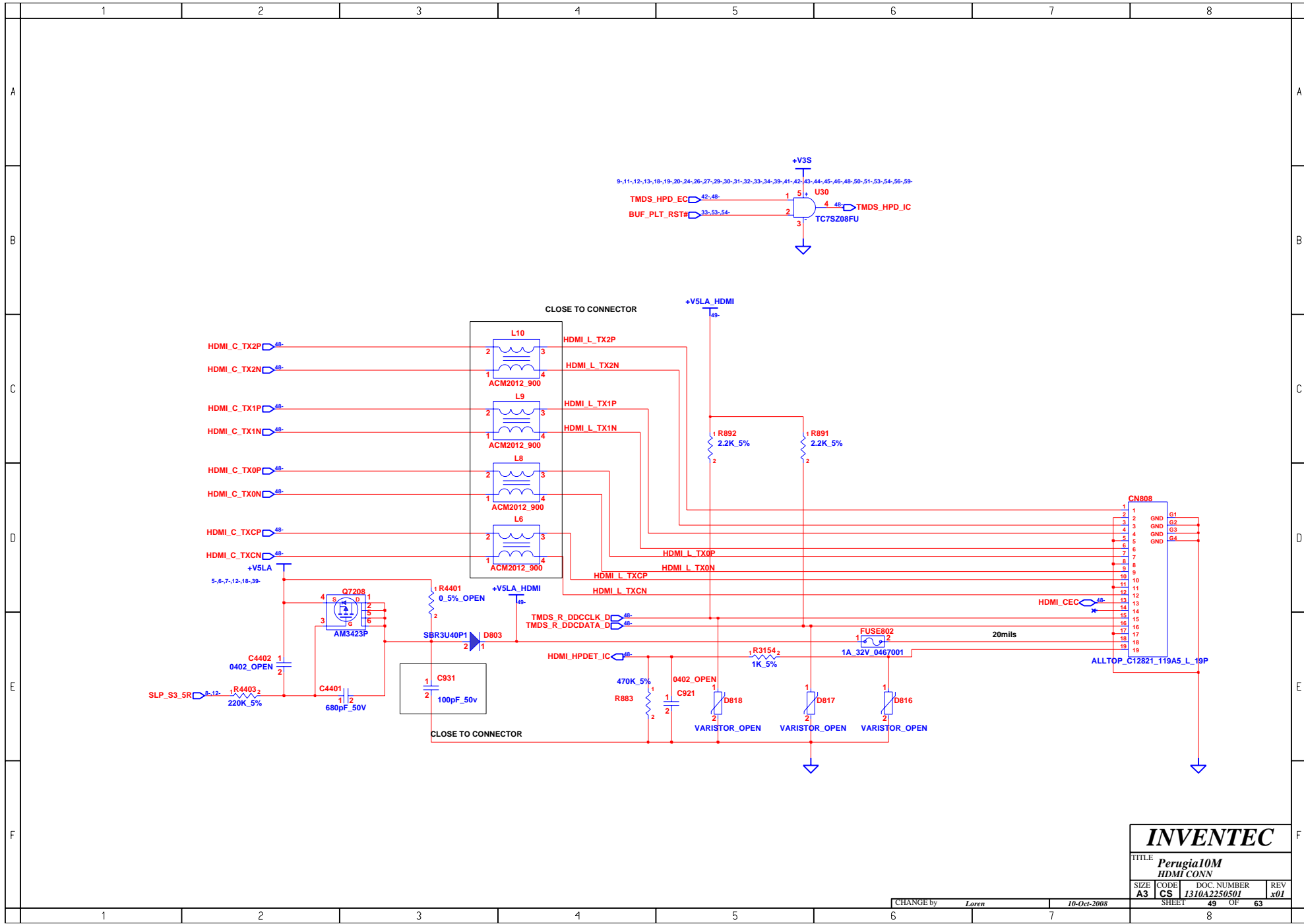
SIZE	CODE	DOC NUMBER	REV
A3	CS	1310A2250501	x01

CHANGE by Loren 20-Oct-2008

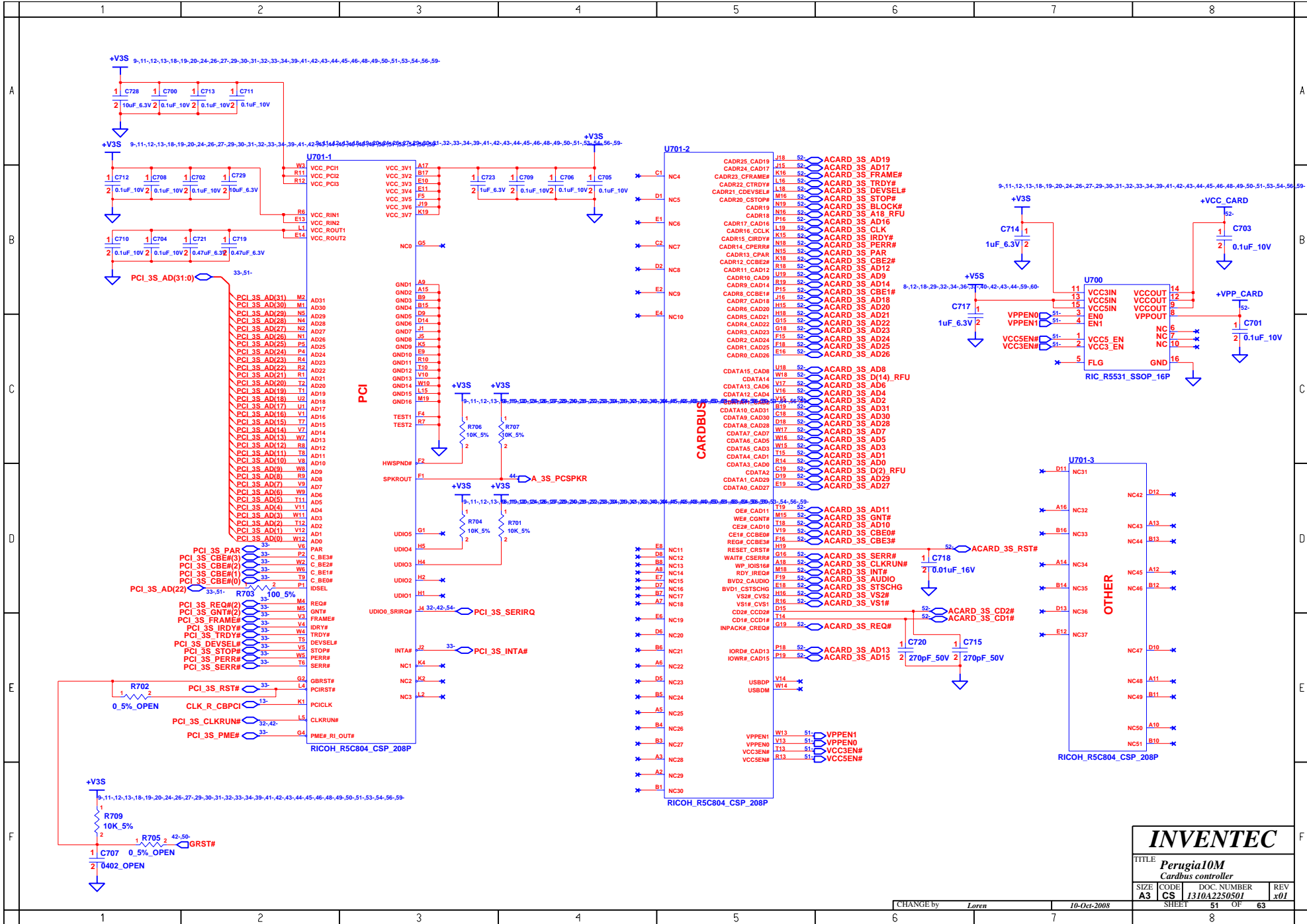
SHEET 47 OF 63

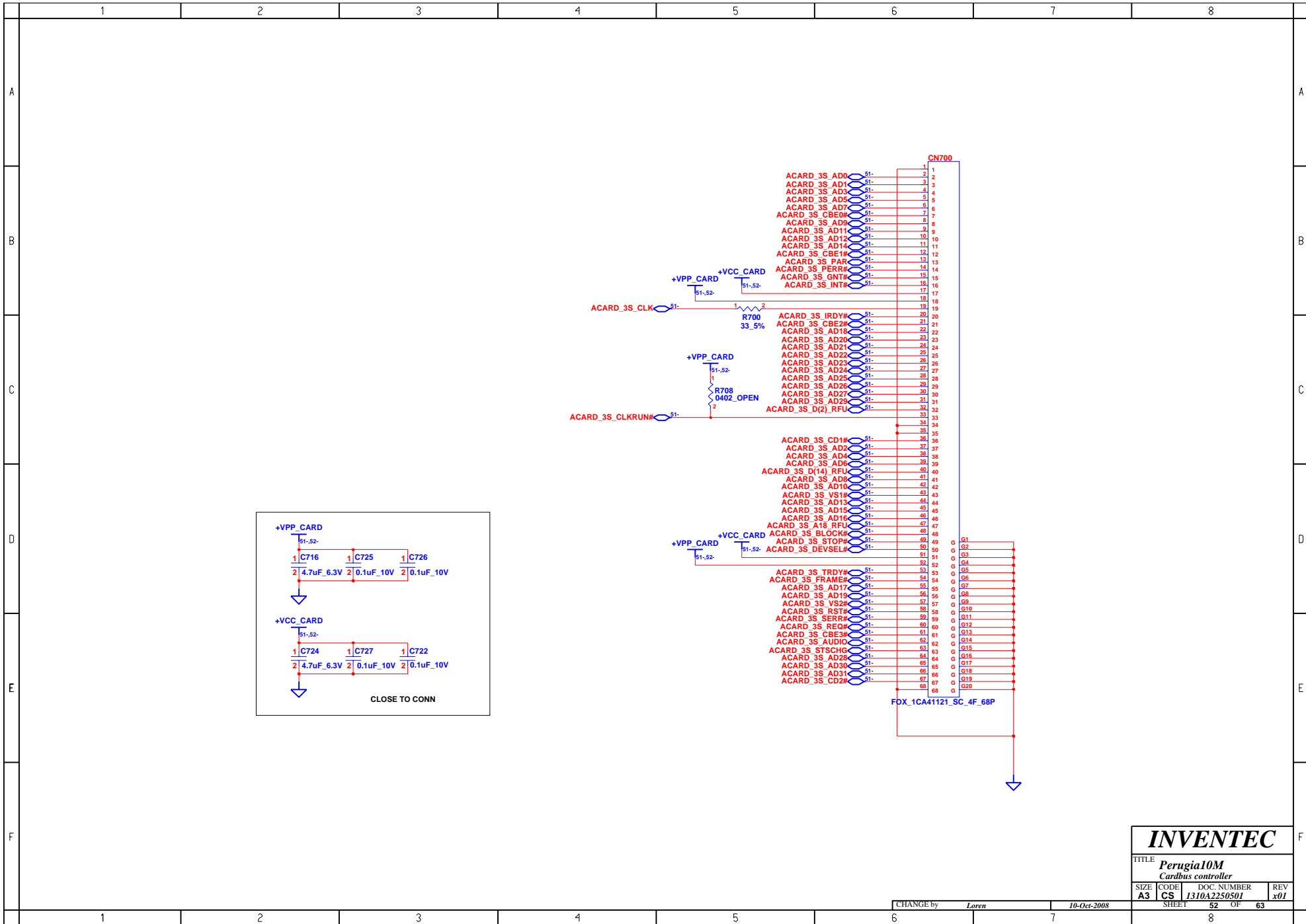


CHANGE by Loren 10-Oct-2008

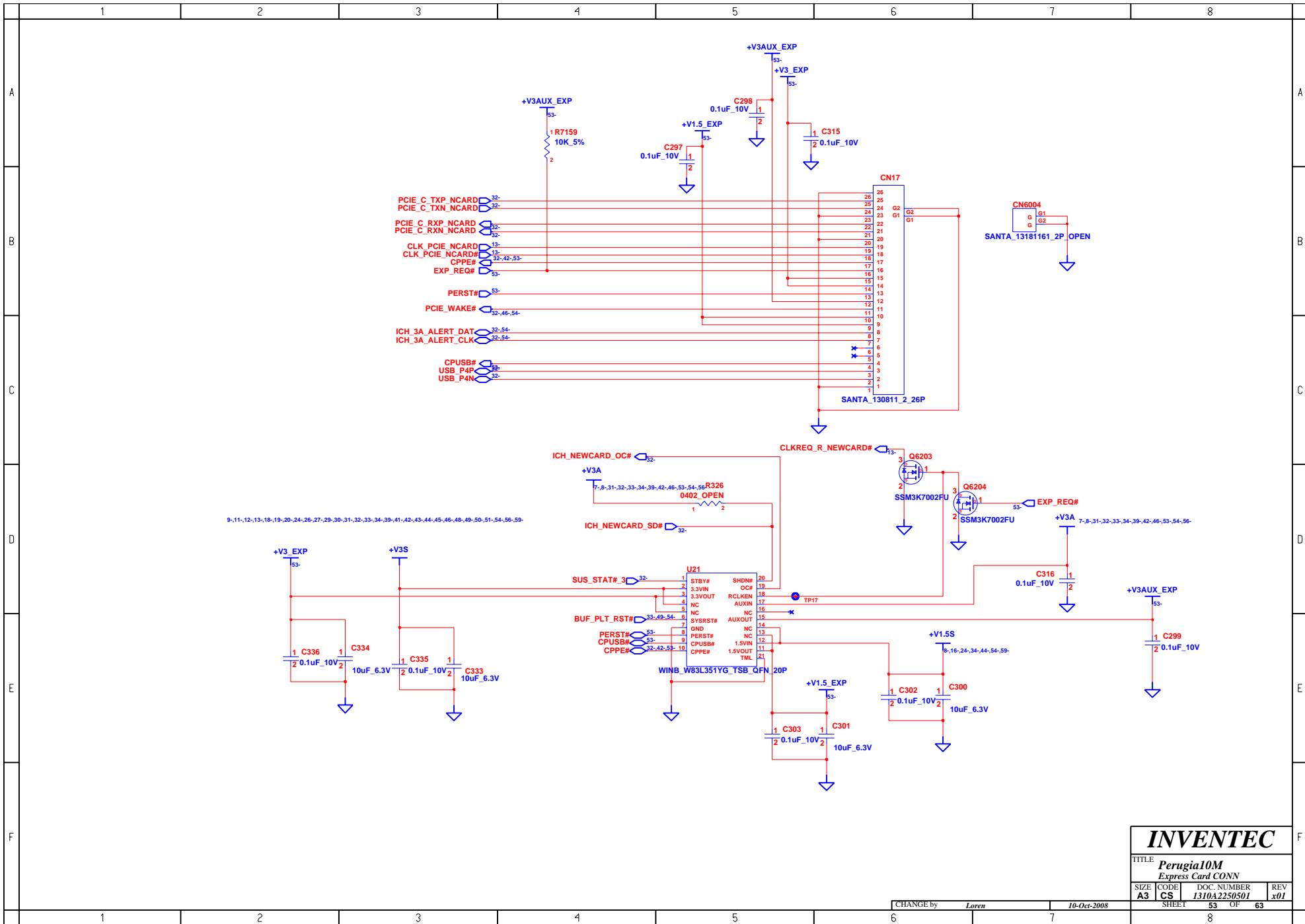


INVENTEC			
TITLE Perugia10M HDMI CONN			
SIZE A3	CODE CS	DOC. NUMBER 1310A2250501	REV x01
CHANGE by <i>Loren</i>		16-Oct-2008	
SHEET 49		OF 63	





INVENTEC			
TITLE <i>Perugia10M</i> Cardbus controller			
SIZE A3	CODE CS	DOC NUMBER <i>1310A2250501</i>	REV x01
CHANGE by <i>Loren</i>		10-Oct-2008	
SHEET 52		OF 63	



INVENTEC

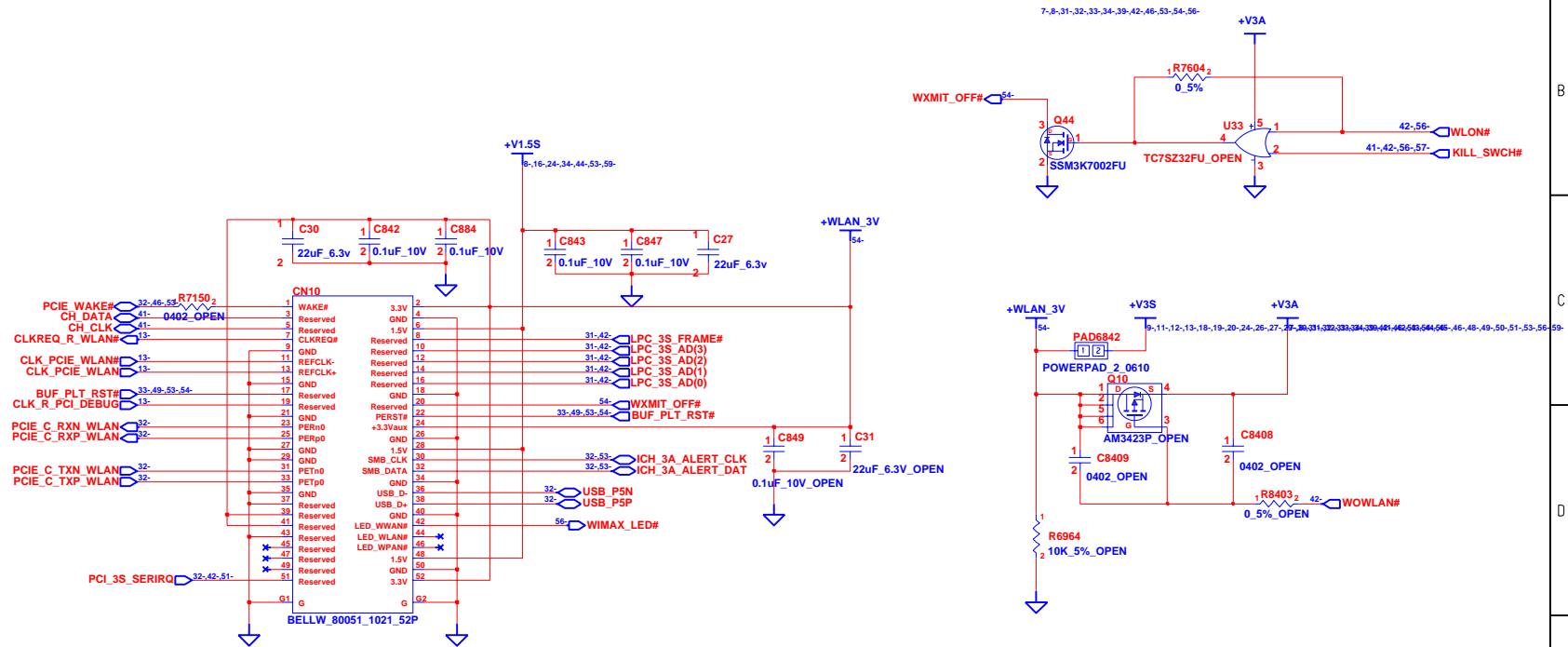
TITLE
Perugia10M
 Express Card CONN

SIZE A3	CODE CS	DOC. NUMBER 1310A2250501	REV x01
-------------------	-------------------	------------------------------------	-------------------

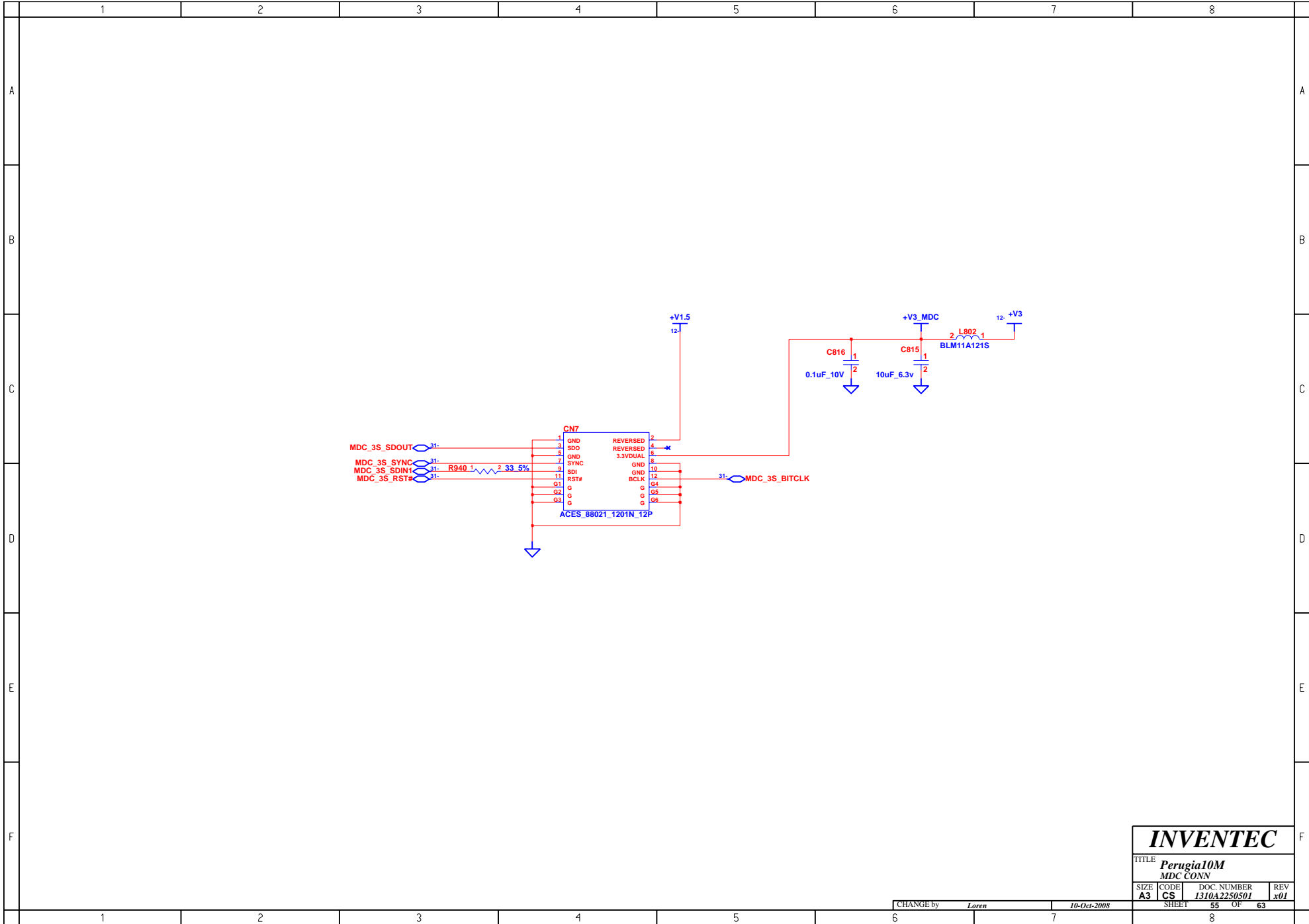
CHANGE by *Loren* 10-Oct-2008

SHEET 53 OF 63

Wireless & Debug card



INVENTEC			
TITLE Perugia10M Wireless & debug card			
SIZE A3	CODE CS	DOC. NUMBER I310A2250501	REV x01
CHANGE by <i>Loren</i>		10-Oct-2008	
SHEET 54		OF 63	

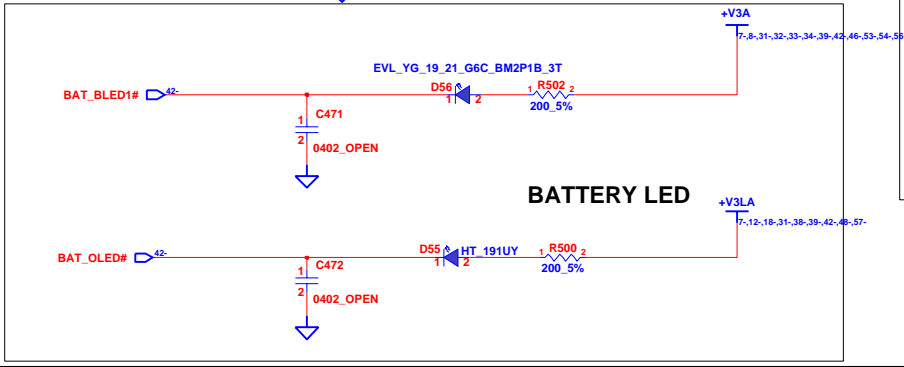
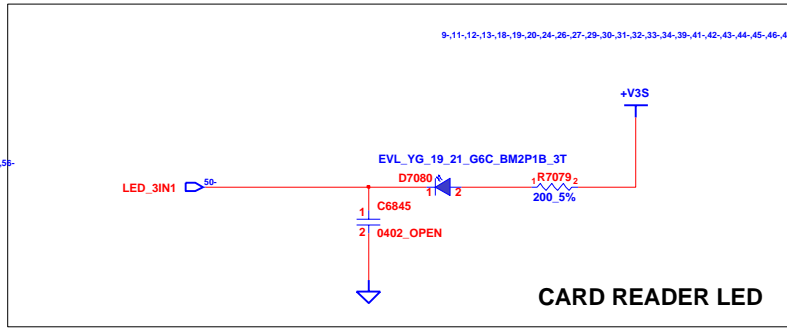
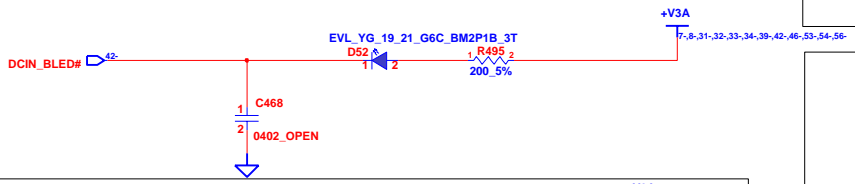
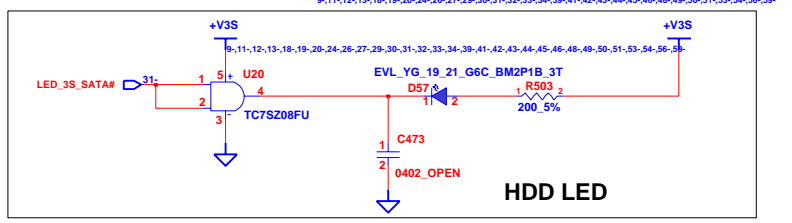
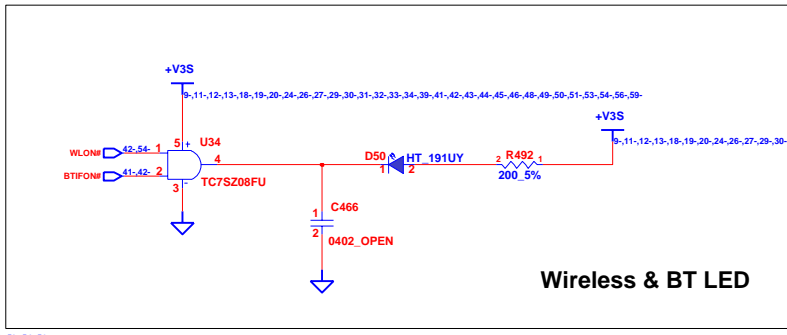
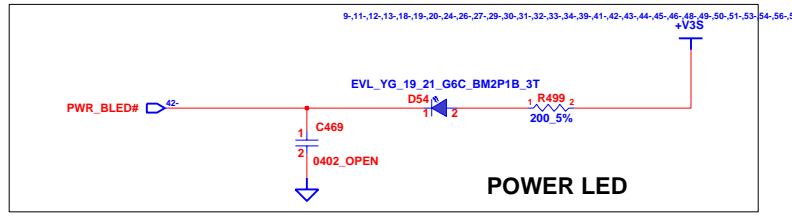
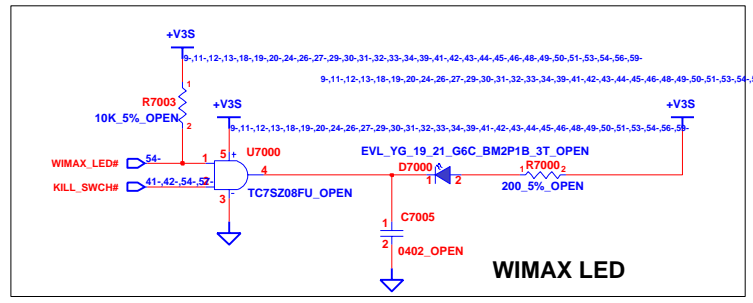
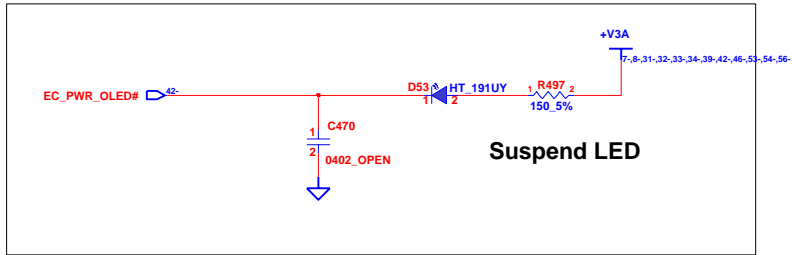


INVENTEC

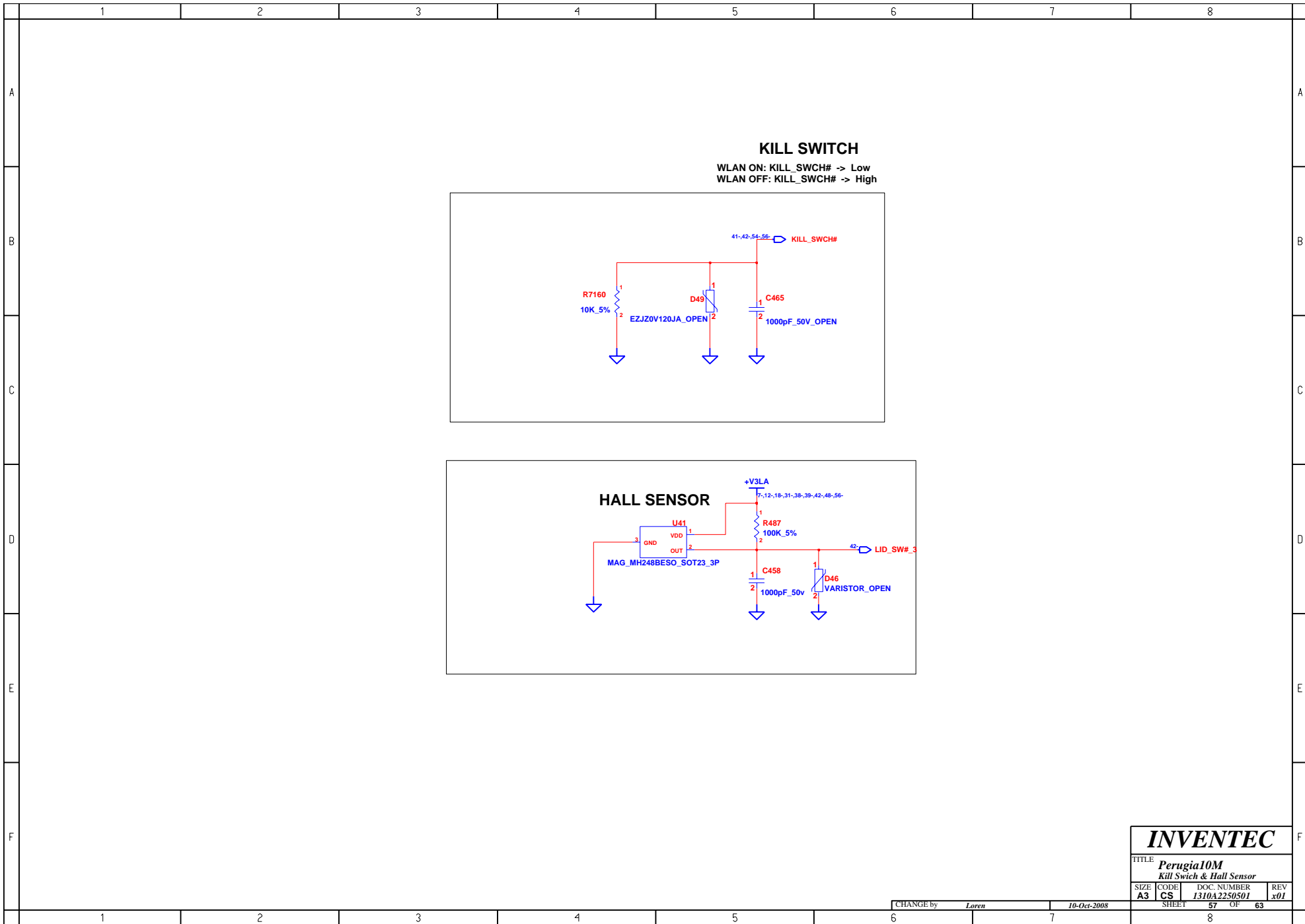
TITLE
Perugia10M
MDC CONN

SIZE A3	CODE CS	DOC. NUMBER 1310A2250501	REV x01
-------------------	-------------------	------------------------------------	-------------------

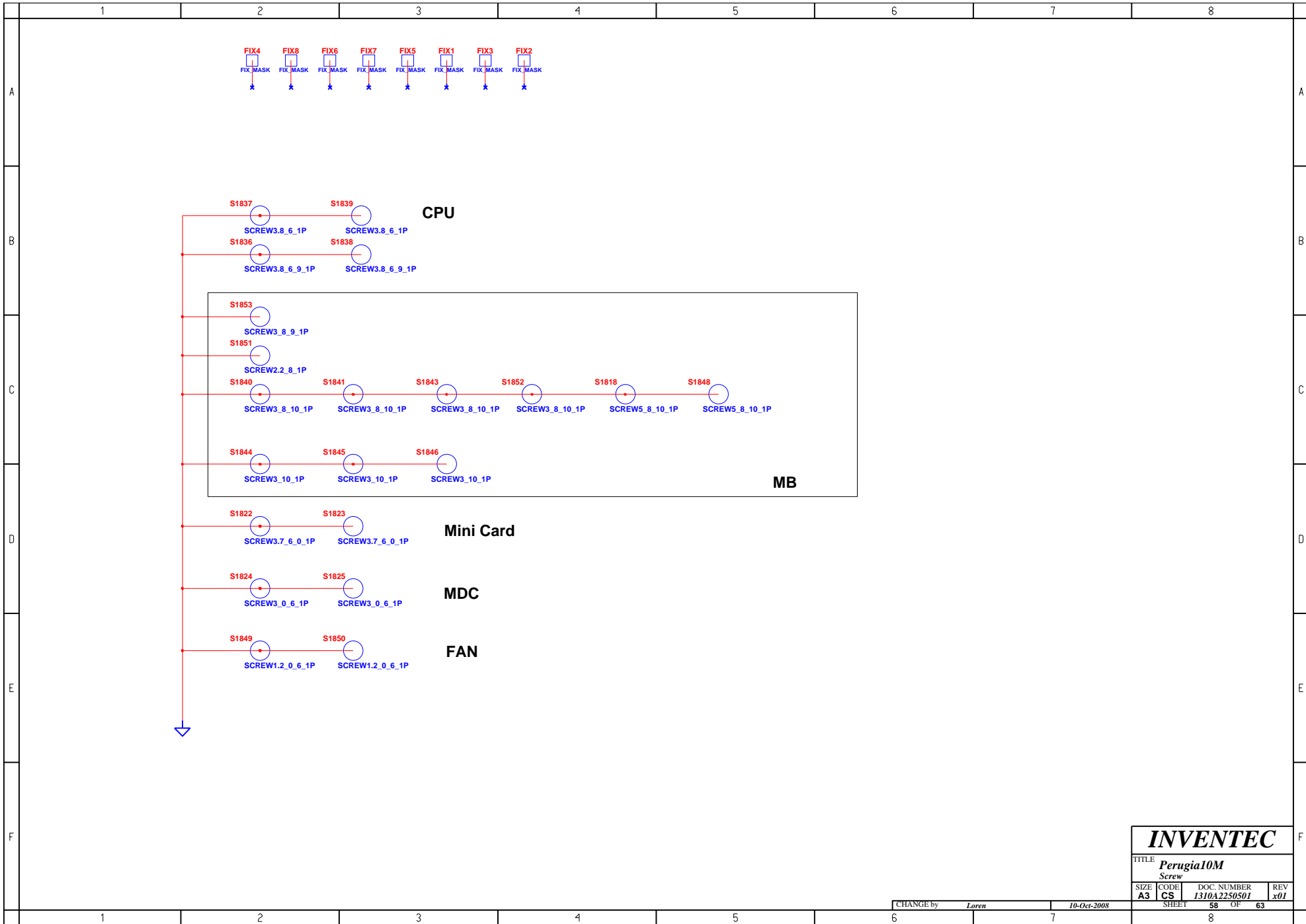
CHANGE by *Loren* 10-Oct-2008 SHEET 55 OF 63



INVENTEC			
TITLE <i>Perugia10M</i>			
LED & Hotkey CONN			
SIZE A3	CODE CS	DOC NUMBER 1310A2250501	REV x01
CHANGE by <i>Loren</i>		10-Oct-2008	
SHEET 56		OF 63	



INVENTEC			
TITLE Perugia10M			
Kill Swich & Hall Sensor			
SIZE A3	CODE CS	DOC. NUMBER 1310A2250501	REV x01
CHANGE by <i>Loren</i>		10-Oct-2008	
SHEET		57	OF 63



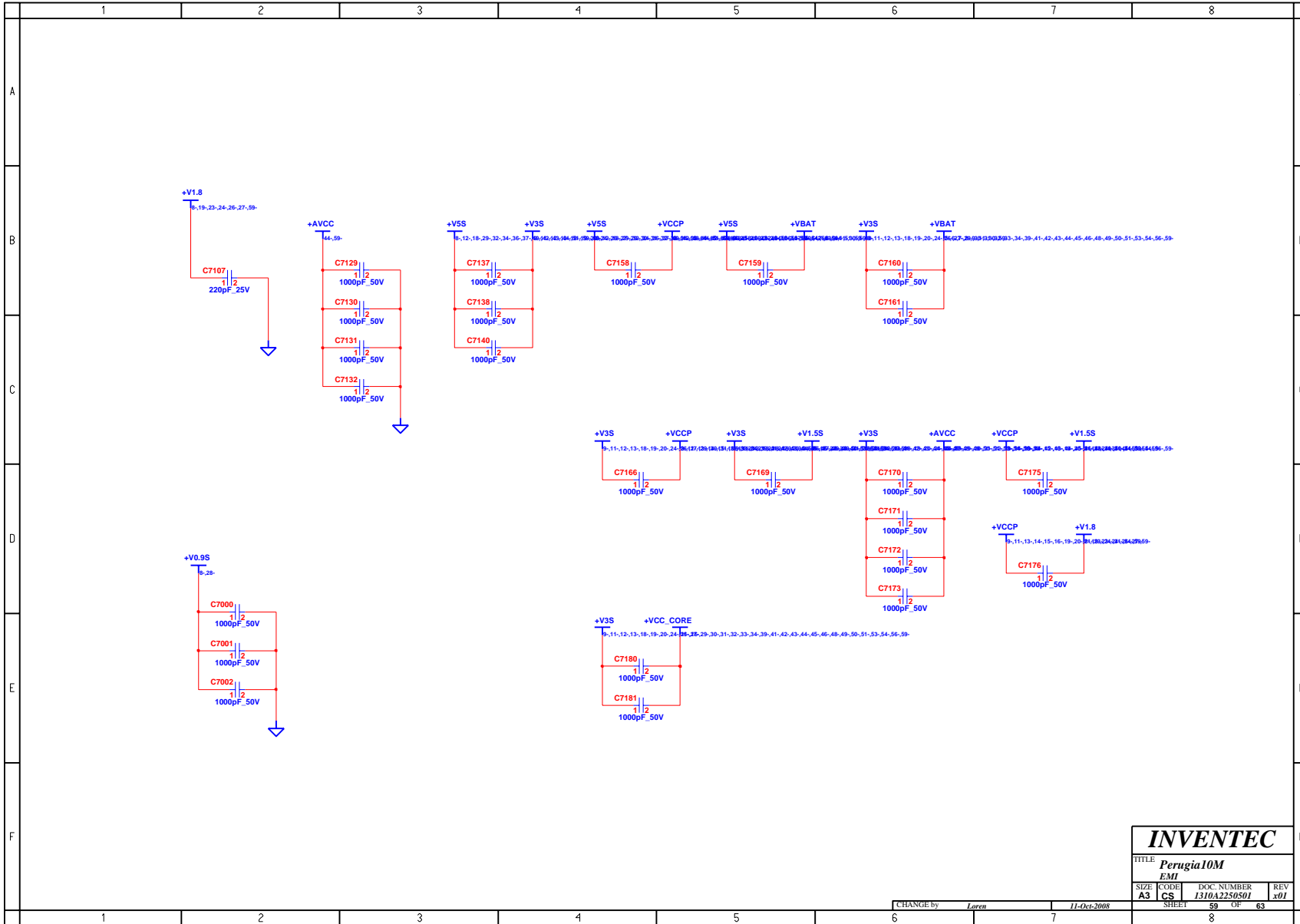
INVENTEC

TITLE
Perugia10M
 Screw

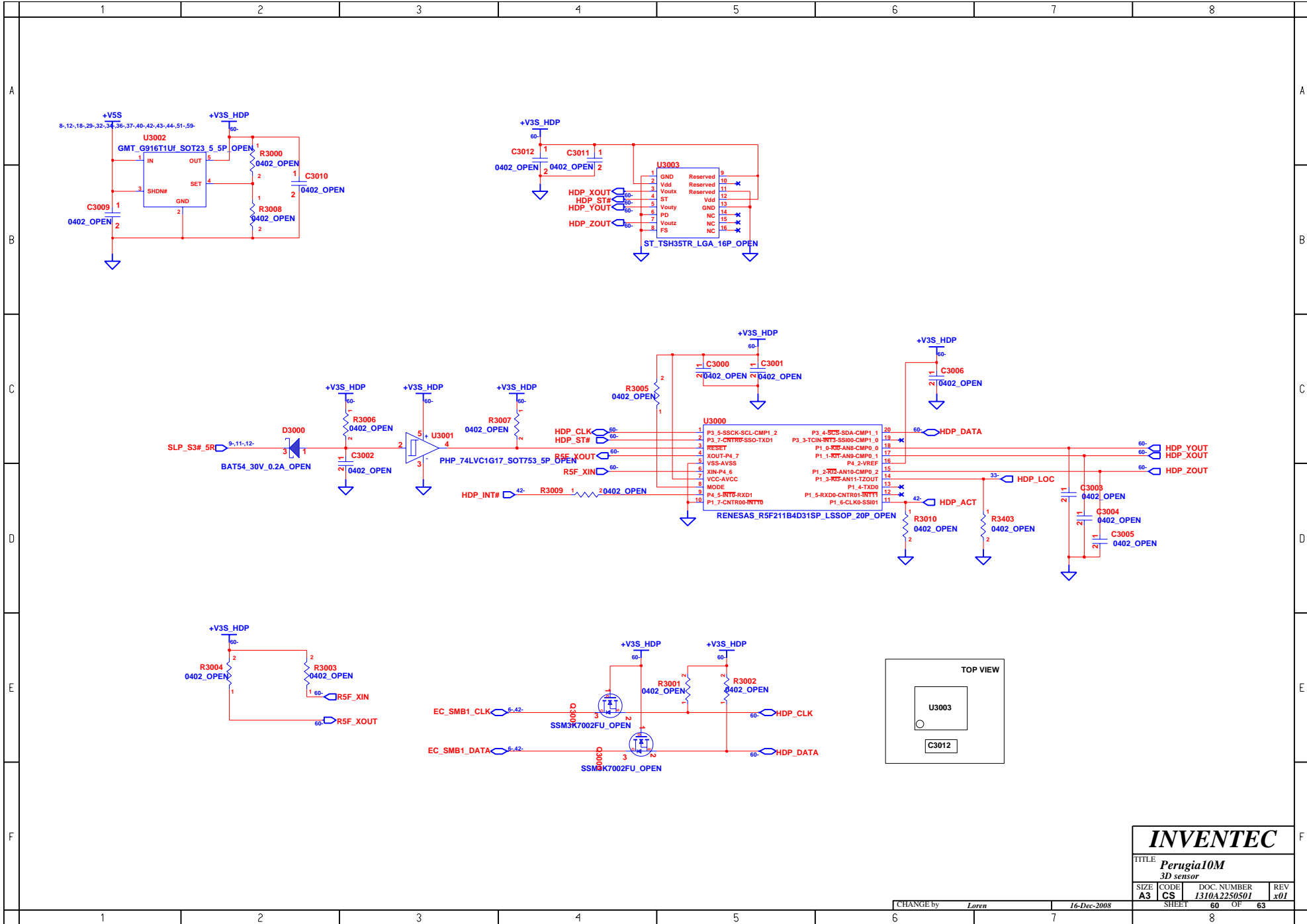
SIZE A3	CODE CS	DOC. NUMBER 1310A2250501	REV x01
-------------------	-------------------	------------------------------------	-------------------

CHANGE by *Loren* 10-Oct-2008

SHEET 58 OF 63



INVENTEC			
TITLE: <i>Perugia10M</i>			
EMI			
SIZE	CODE	DOC NUMBER	REV
A3	CS	I310A2250501	x01
CHANGE by: <i>Loren</i>		11-Oct-2008	
SHEET 59		OF 63	

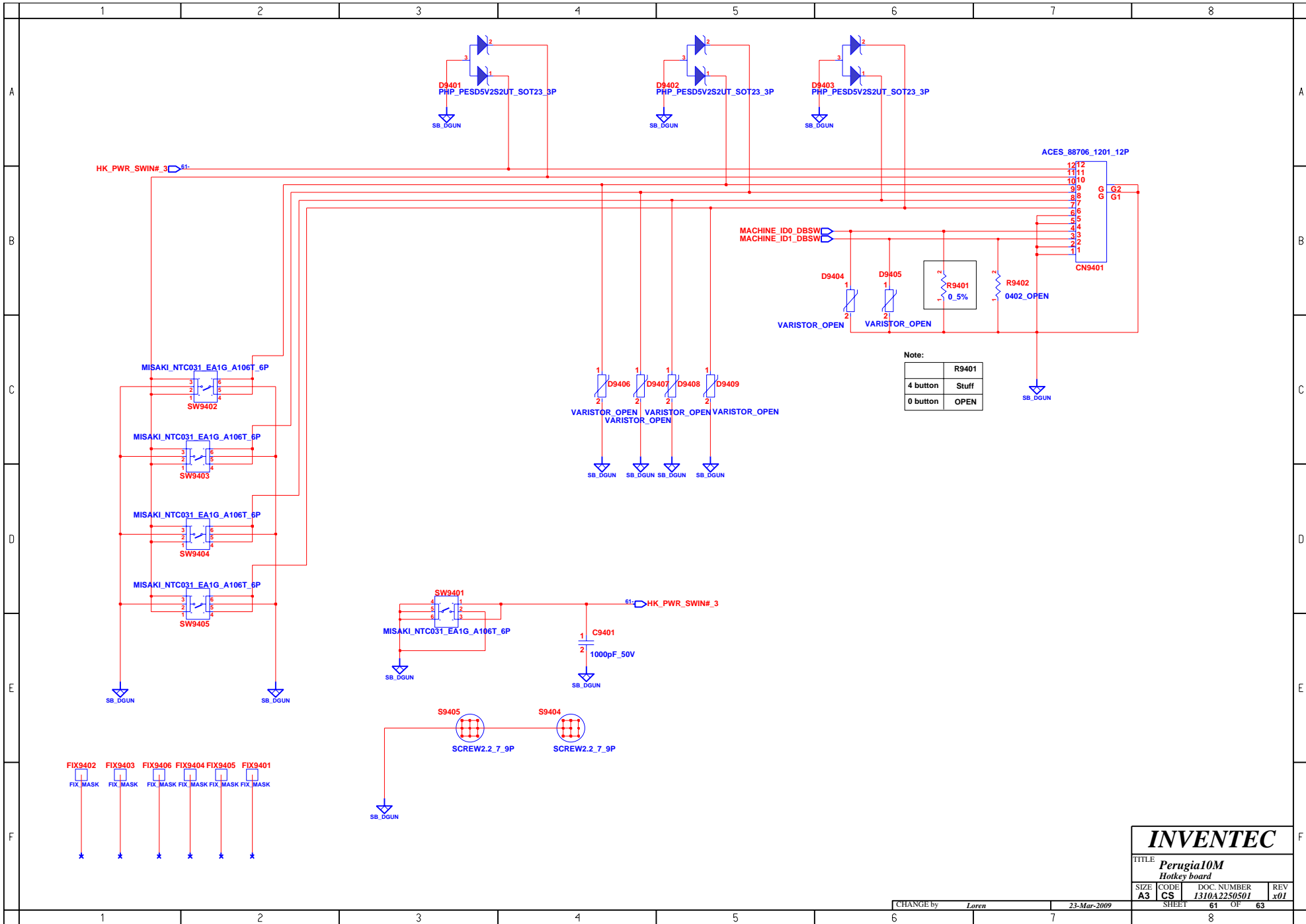


INVENTEC

TITLE
Perugia10M
 3D sensor

SIZE	CODE	DOC. NUMBER	REV
A3	CS	1310A2250501	x01

CHANGE by *Loren* 16-Dec-2008
 SHEET 60 OF 63



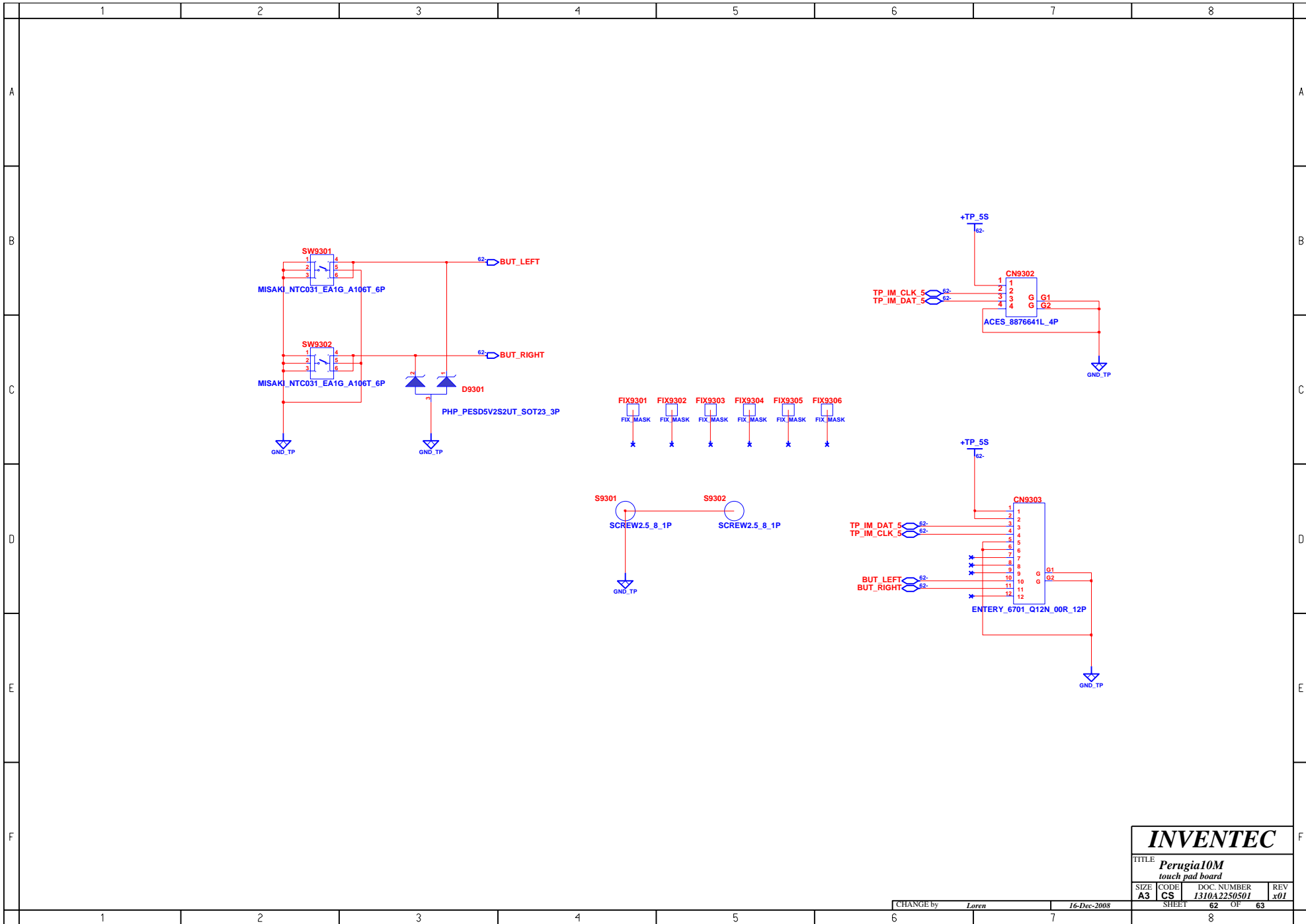
INVENTEC

TITLE
Perugia10M
Hotkey board

SIZE A3	CODE CS	DOC. NUMBER I310A2250501	REV x01
-------------------	-------------------	------------------------------------	-------------------

CHANGE by *Loren* 23-Mar-2009

SHEET 61 OF 63



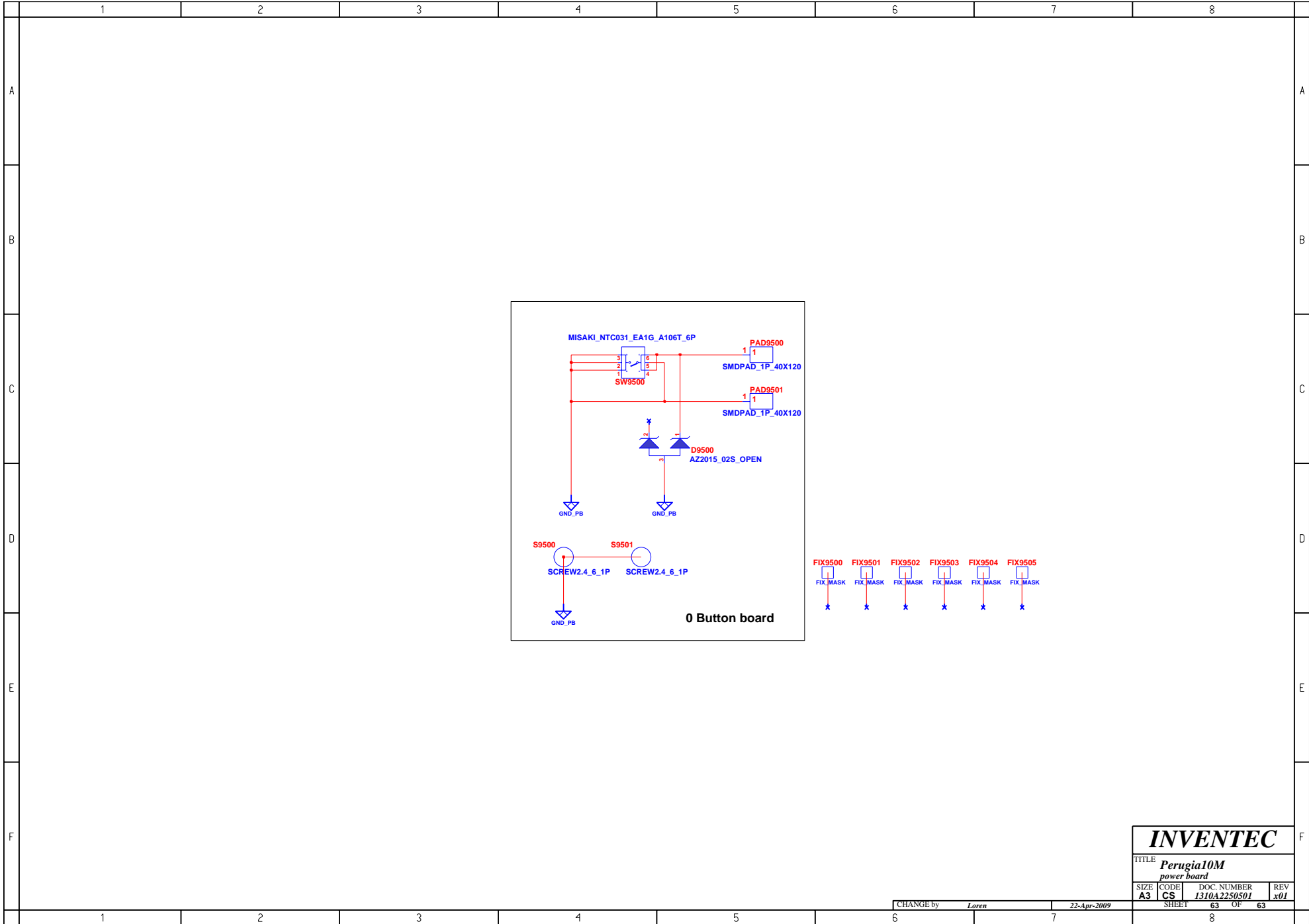
INVENTEC

TITLE
Perugia10M
touch pad board

SIZE A3	CODE CS	DOC. NUMBER 1310A2250501	REV x01
-------------------	-------------------	------------------------------------	-------------------

CHANGE by *Loren* 16-Dec-2008

SHEET 62 OF 63



INVENTEC

TITLE
Perugia10M
power board

SIZE A3	CODE CS	DOC. NUMBER 1310A2250501	REV x01
-------------------	-------------------	------------------------------------	-------------------

CHANGE by *Loren* 22-Apr-2009

SHEET 63 OF 63